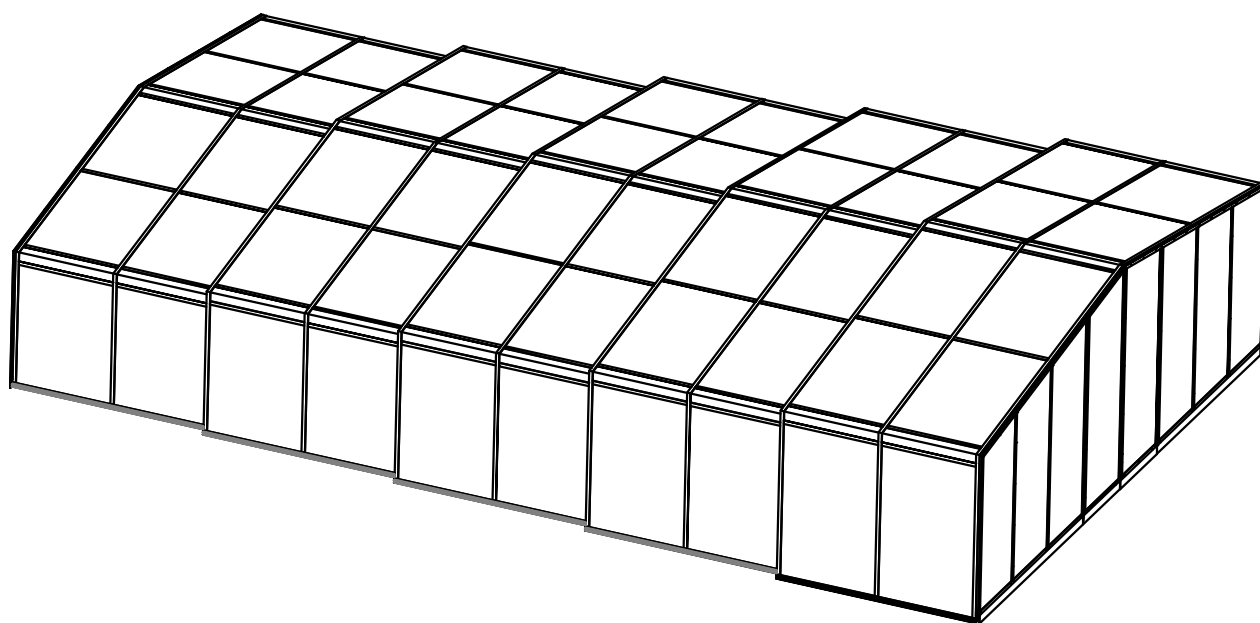
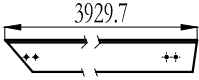
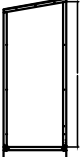
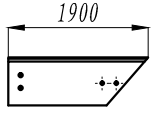
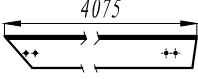
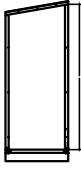
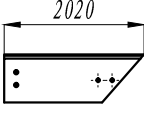

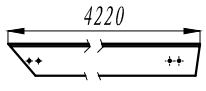

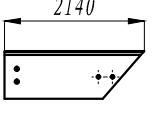
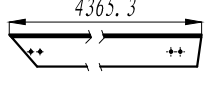
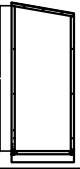
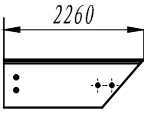
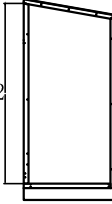
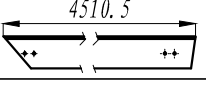
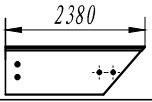
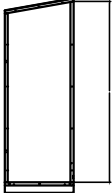
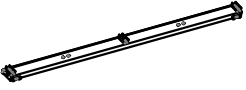
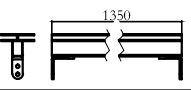
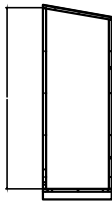
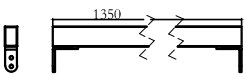
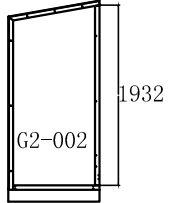
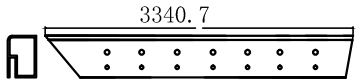
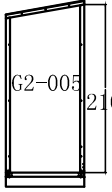
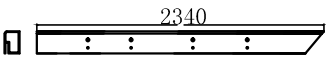
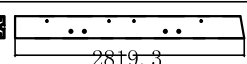


swimming pool cover

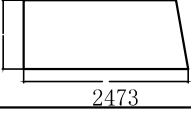
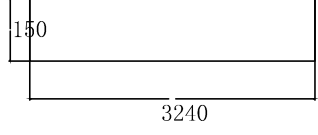
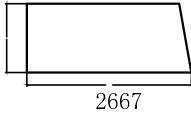
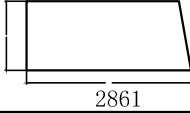
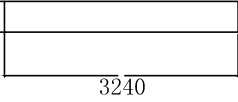


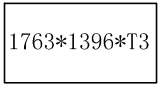
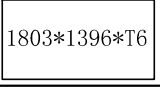
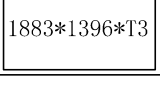
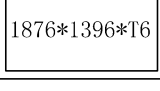
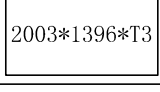
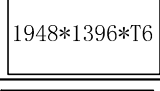
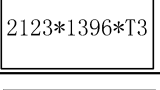
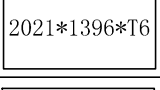
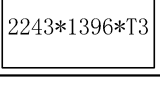
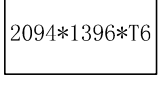
Assembly manual (Model G)

L14050\*W8883\*H3240

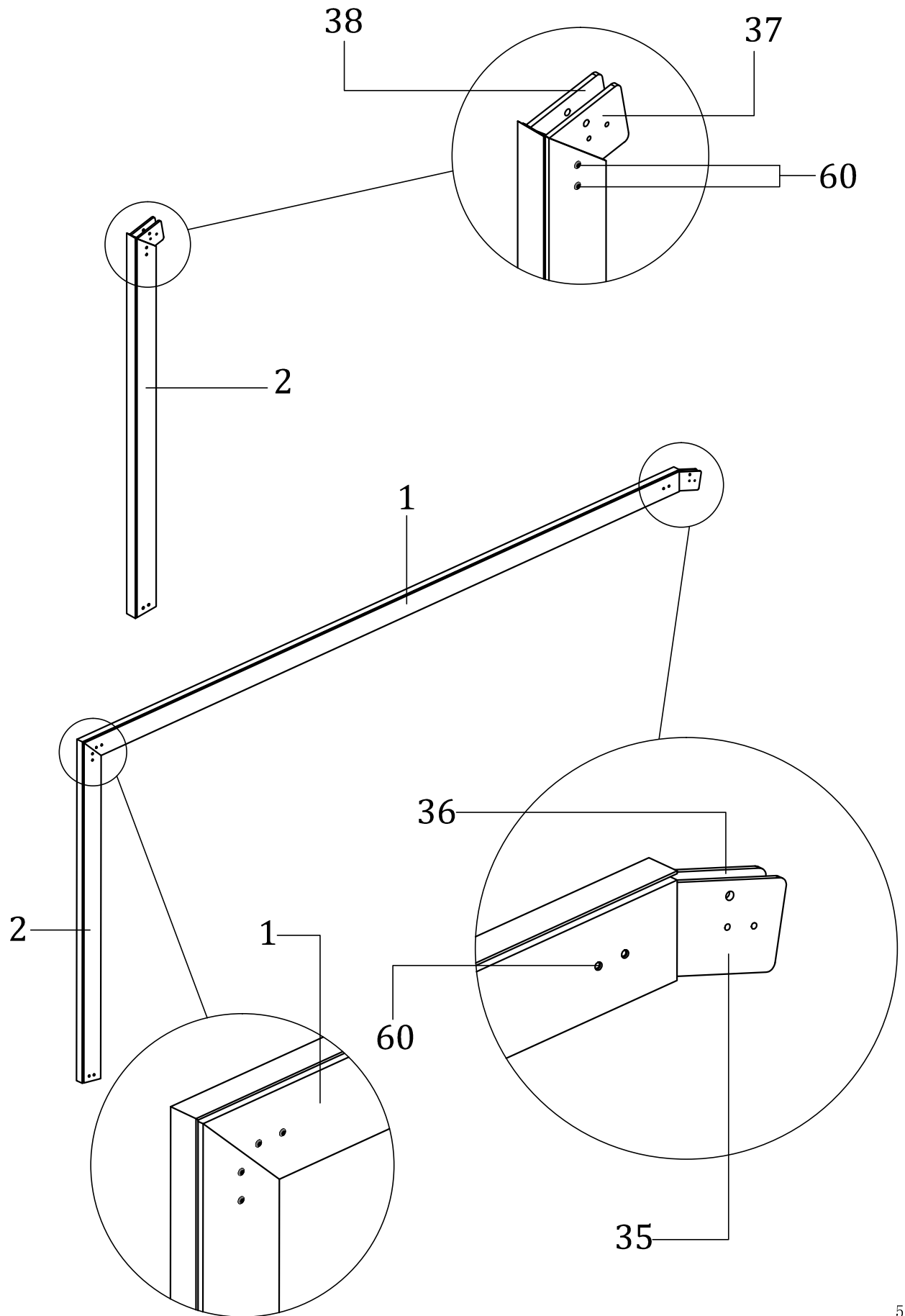


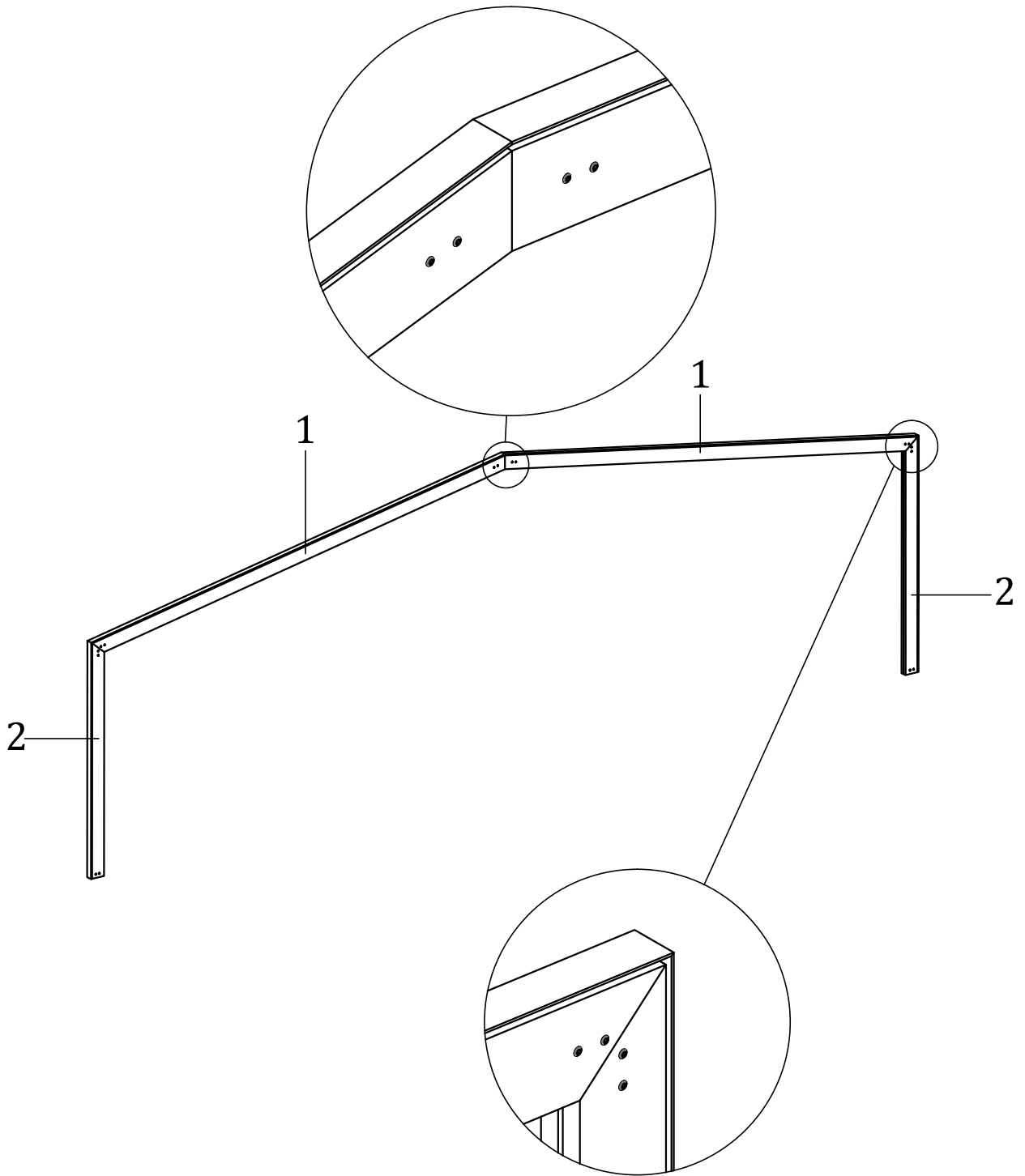
Part Code		Quantity	Part Code		Quantity	
1		6	16		1	
2		6				
3		6	17		1	
4		6	18		1	
5		6	19		1	
6		6				
7		6	20		1	
8		6	21		1	
9		6				
10		6	22		1	
11		10				
12		80	23		1	
13		60				
14		1	24		1	
15		1	25		1	
			26		1	2

Part Code		Quantity	Part Code		Quantity
27		1	46		4
28		1	47		16
29		2	48		16
30		1	49		4
31		1	50		4
32		1	51		4
33		1	52		14
34		1	53		2
35		15	54		2
36		15	55		4
37		30	56		10
38		30	57		10
39		10	58		4
40		10	59		10
41		16	60		160
42		50	61		120
43		600	62		50
44		114	63		1
45		8	64		2
			65		1
			66		1

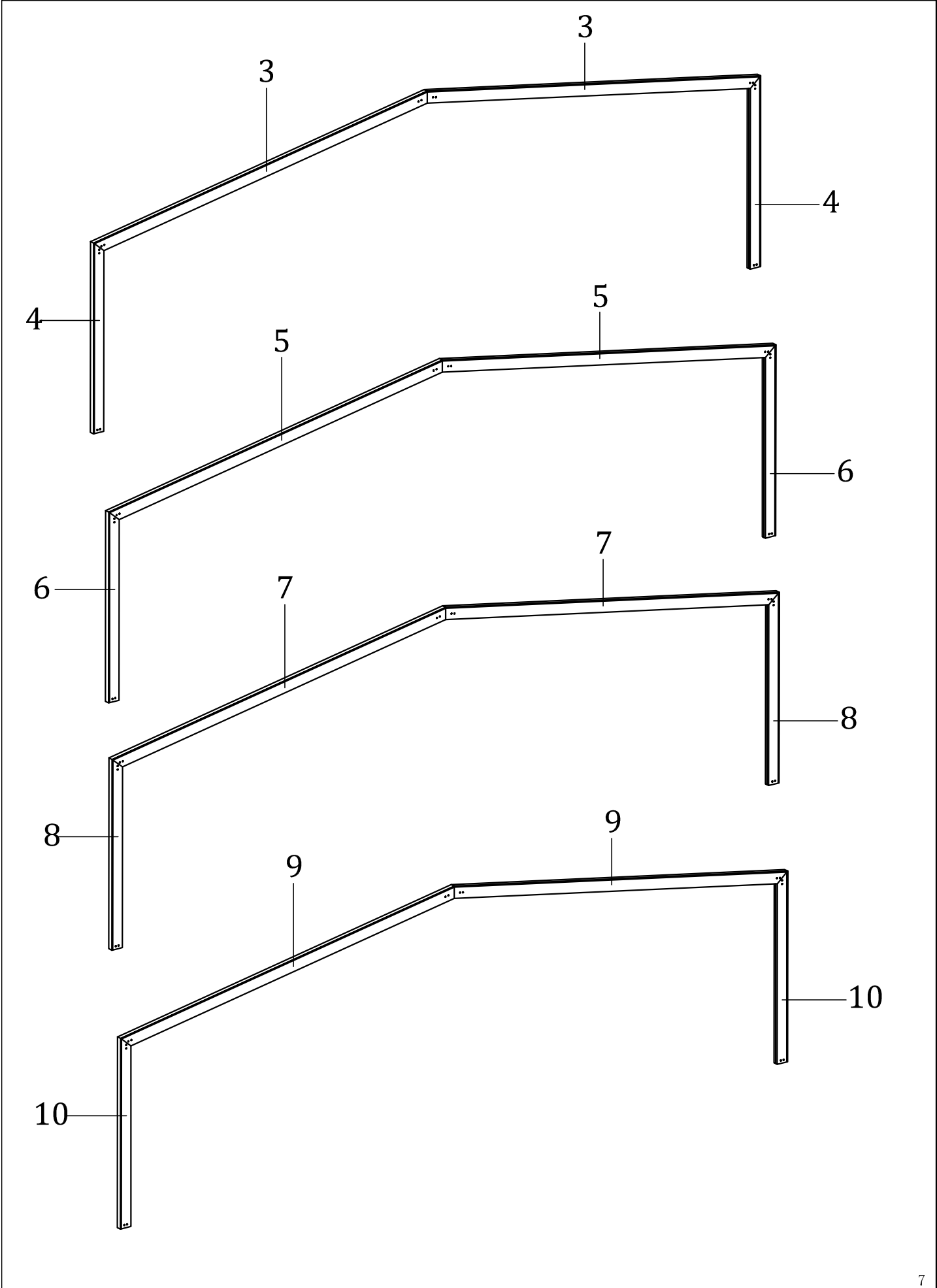
Part Code		Quantity	Part Code		Quantity
67	1036 	2	83		2
68	1096 	2			
69	1096 	2			
70	24 	2			
71		20			
72		10			
73		4			
74		8			
75		4			
76		8			
77		4			
78		8			
79		4			
80		8			
81		4			
82		8			

# I: Beam Assembly

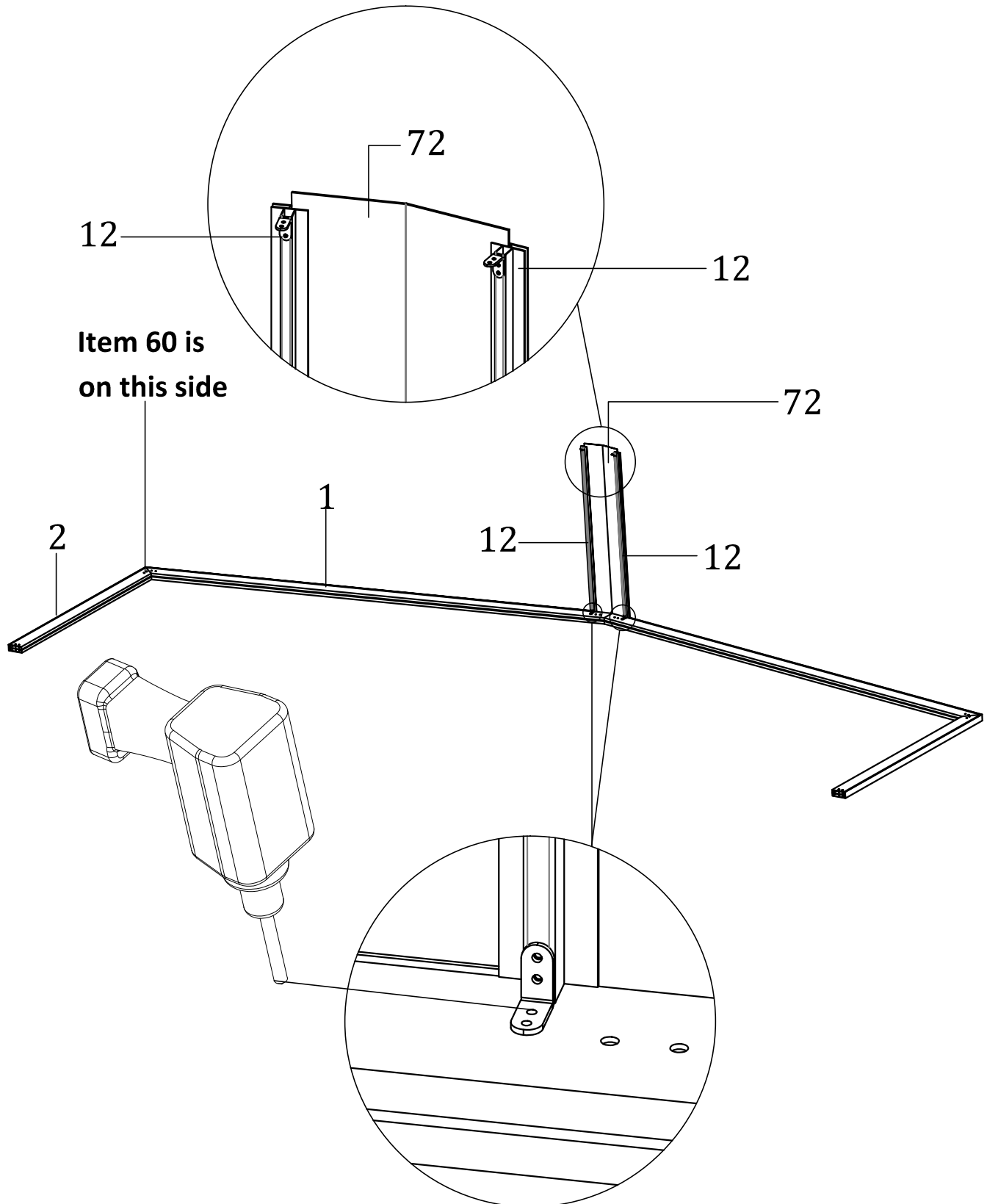




Assemble the other beams like this

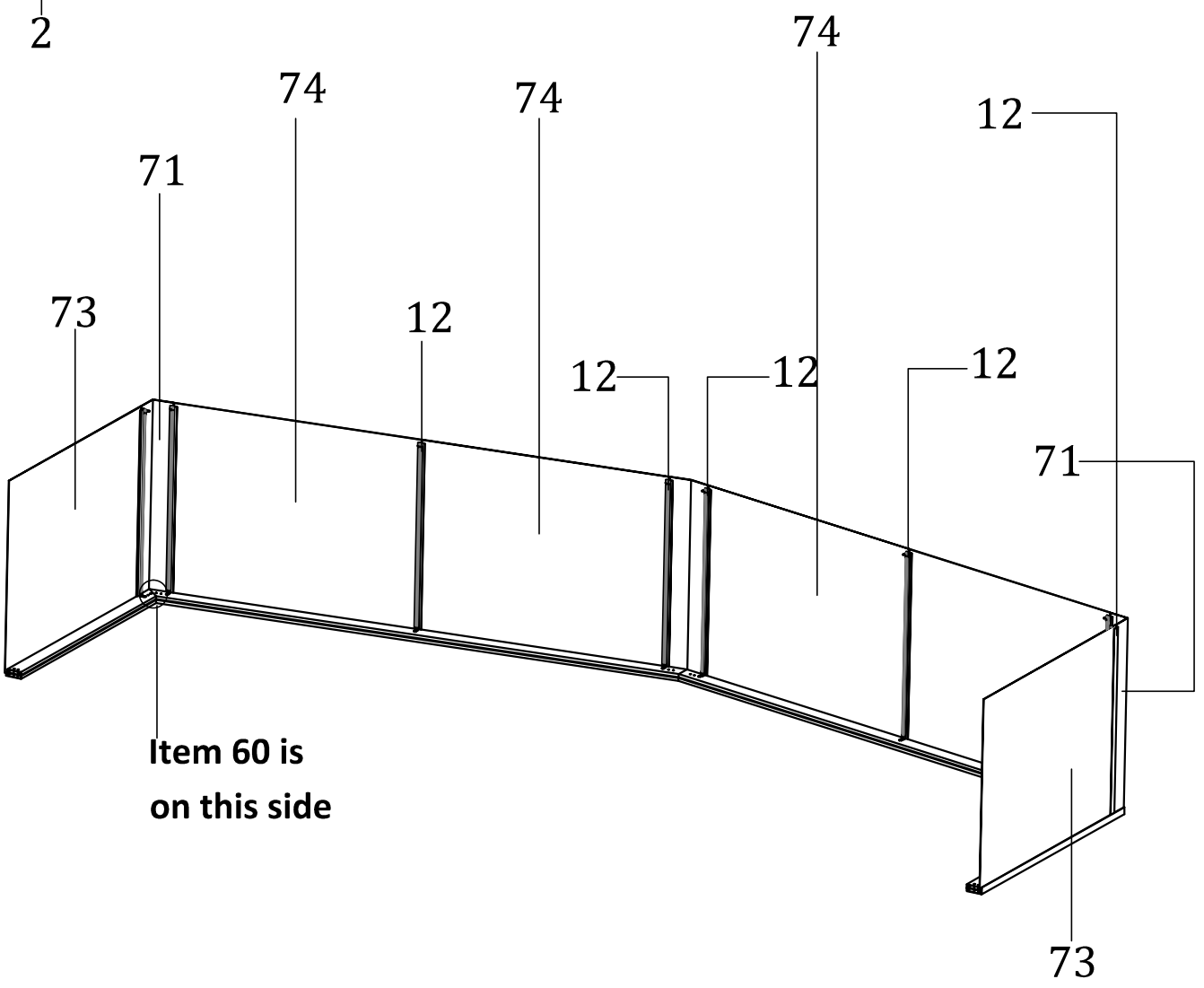
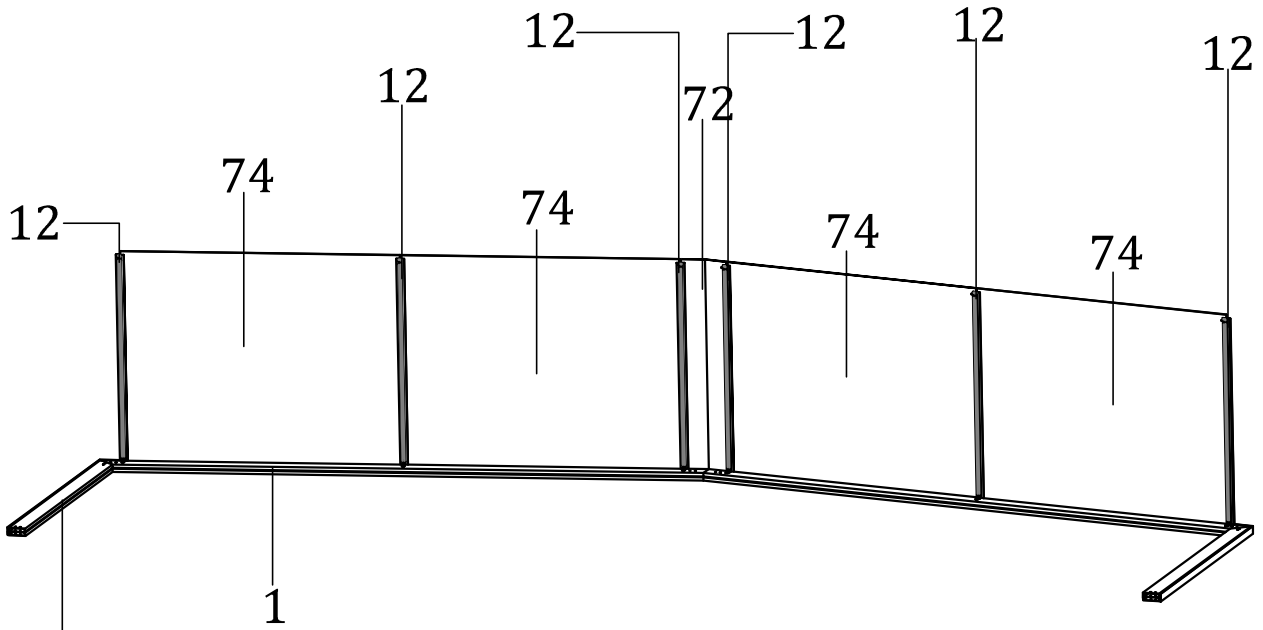


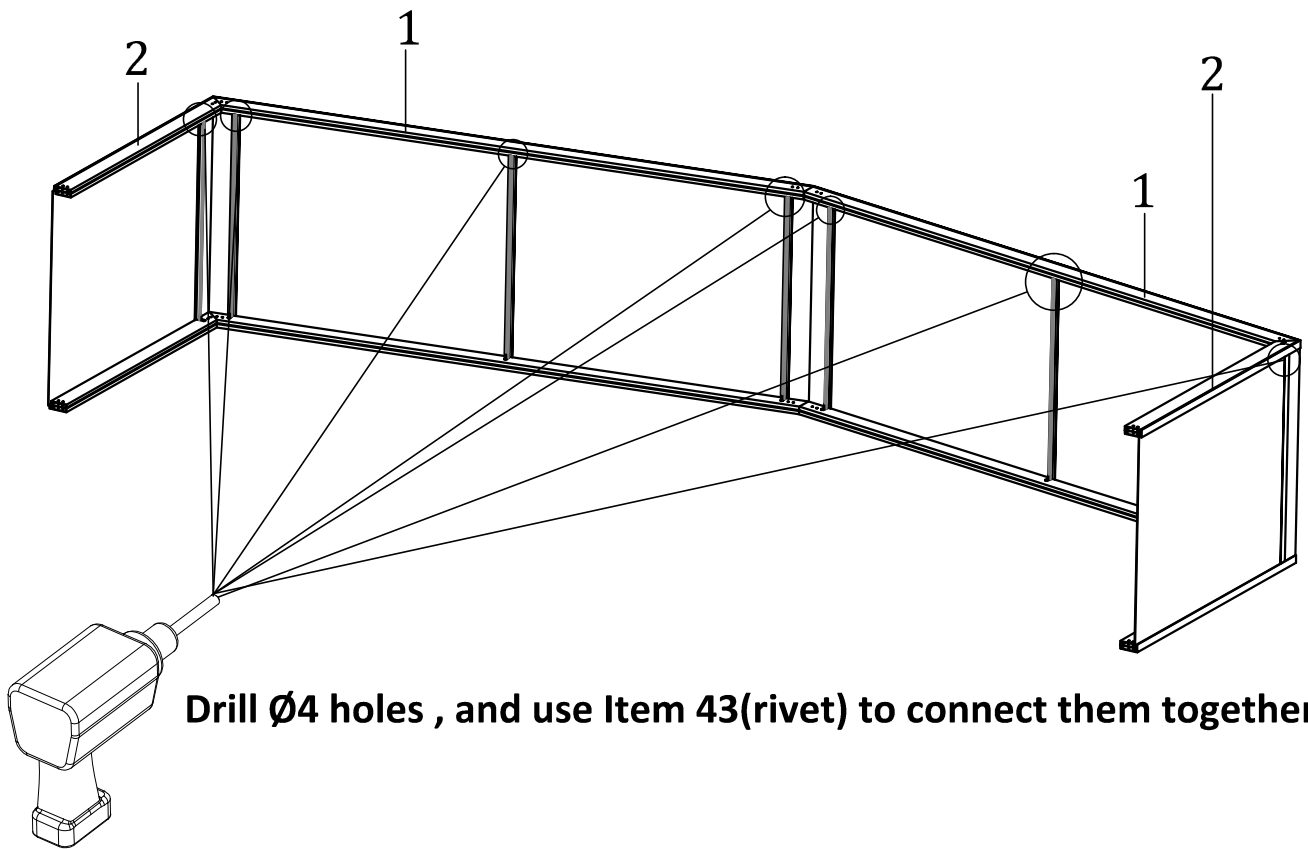
# II: Beam & PC Sheet Assembly



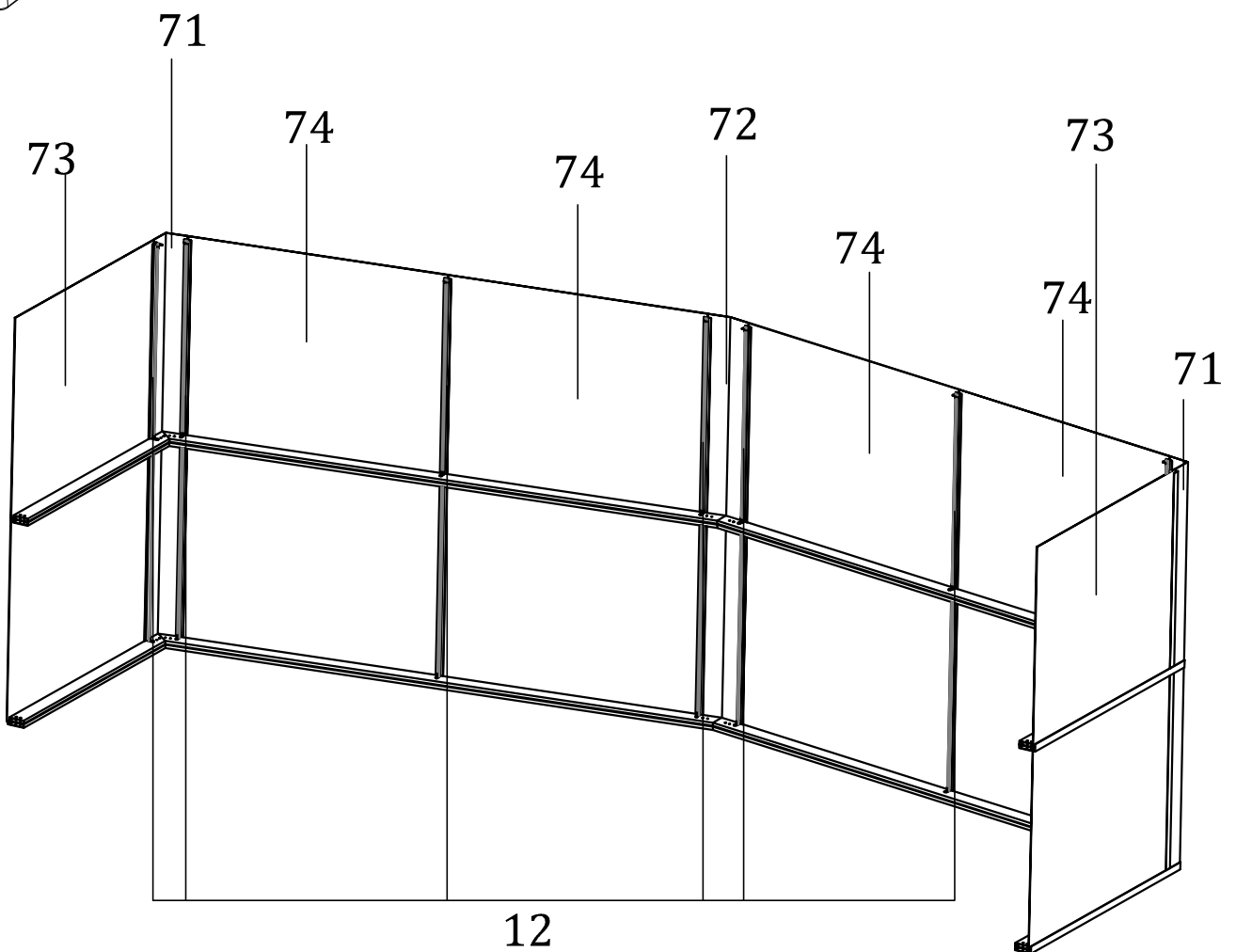
Drill  $\text{\O}4$  holes , and use Item 43(rivet) to connect them together.

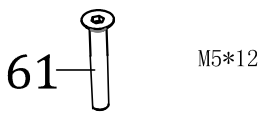
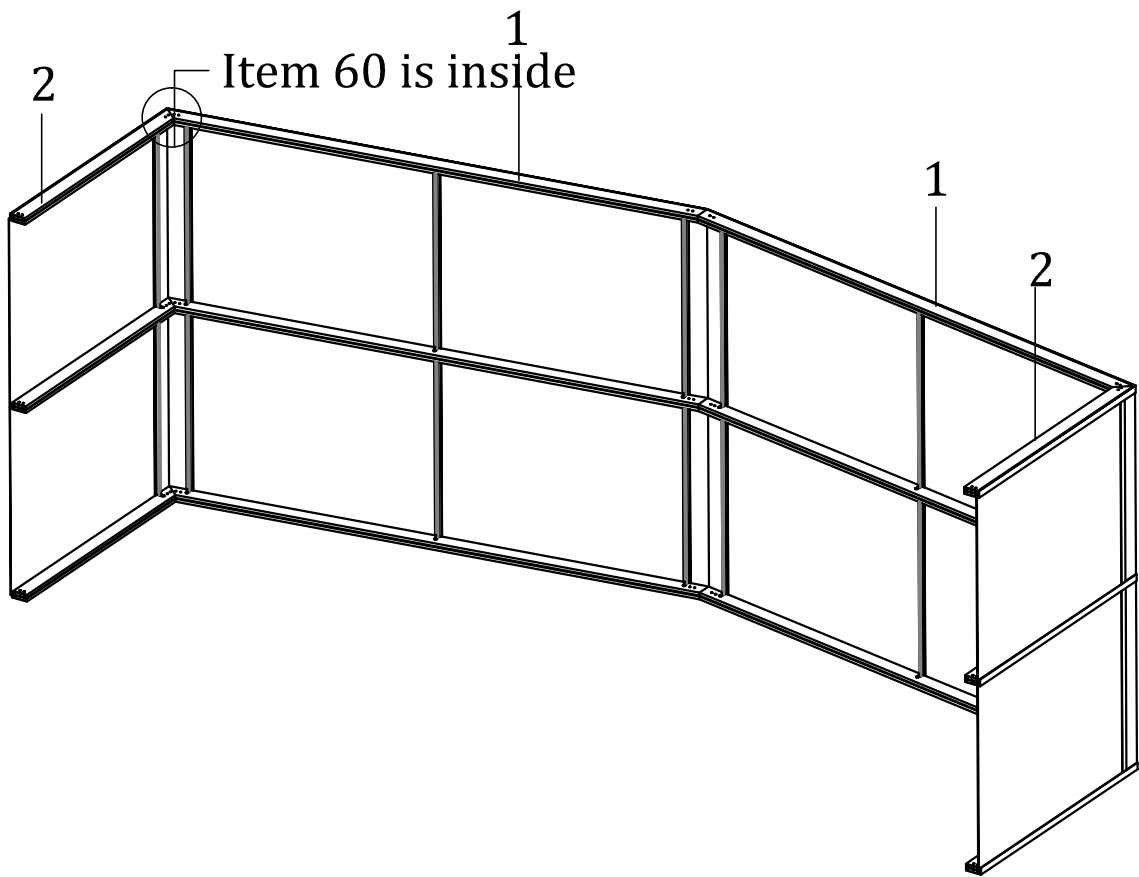




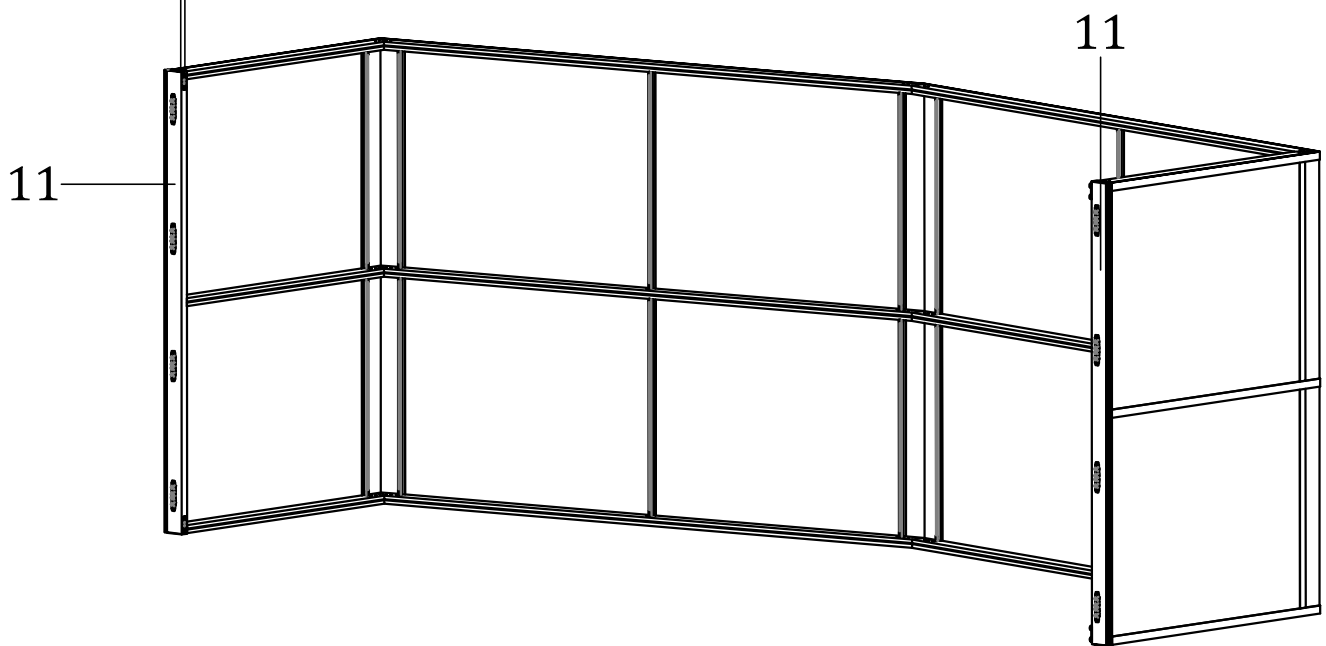


**Drill  $\varnothing 4$  holes , and use Item 43(rivet) to connect them together.**

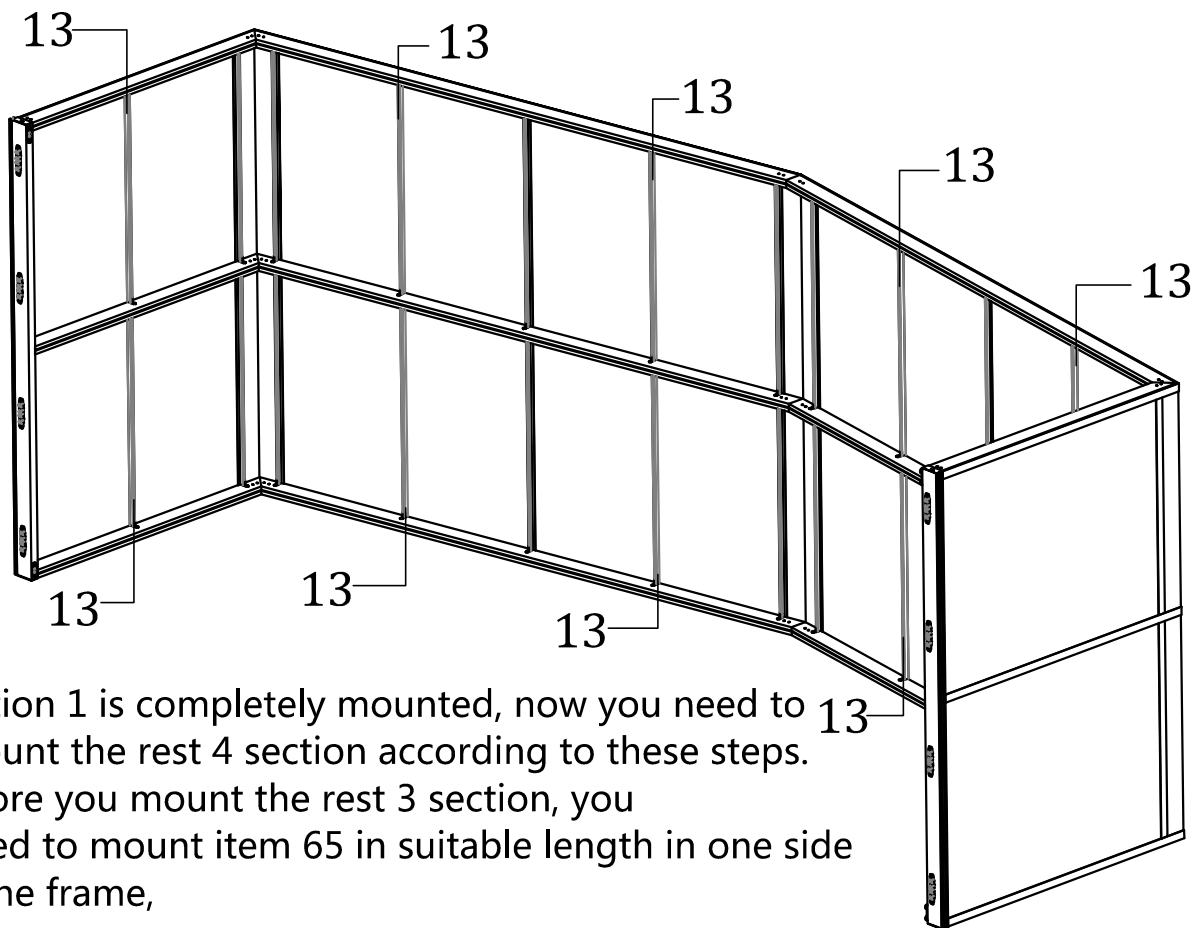
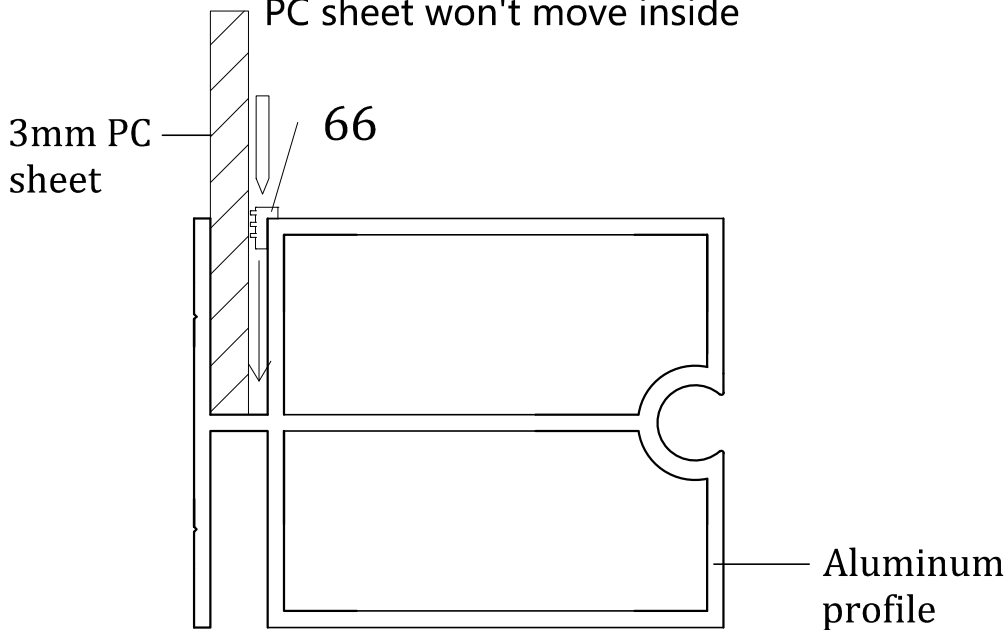




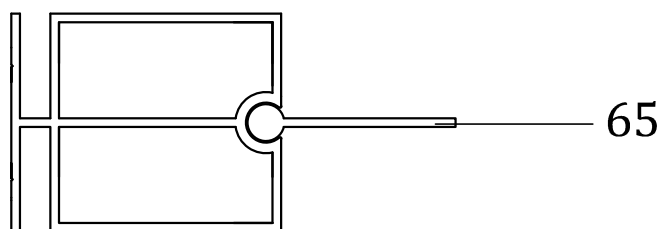
**Use item 61 to connect the item 11 with the beam together**



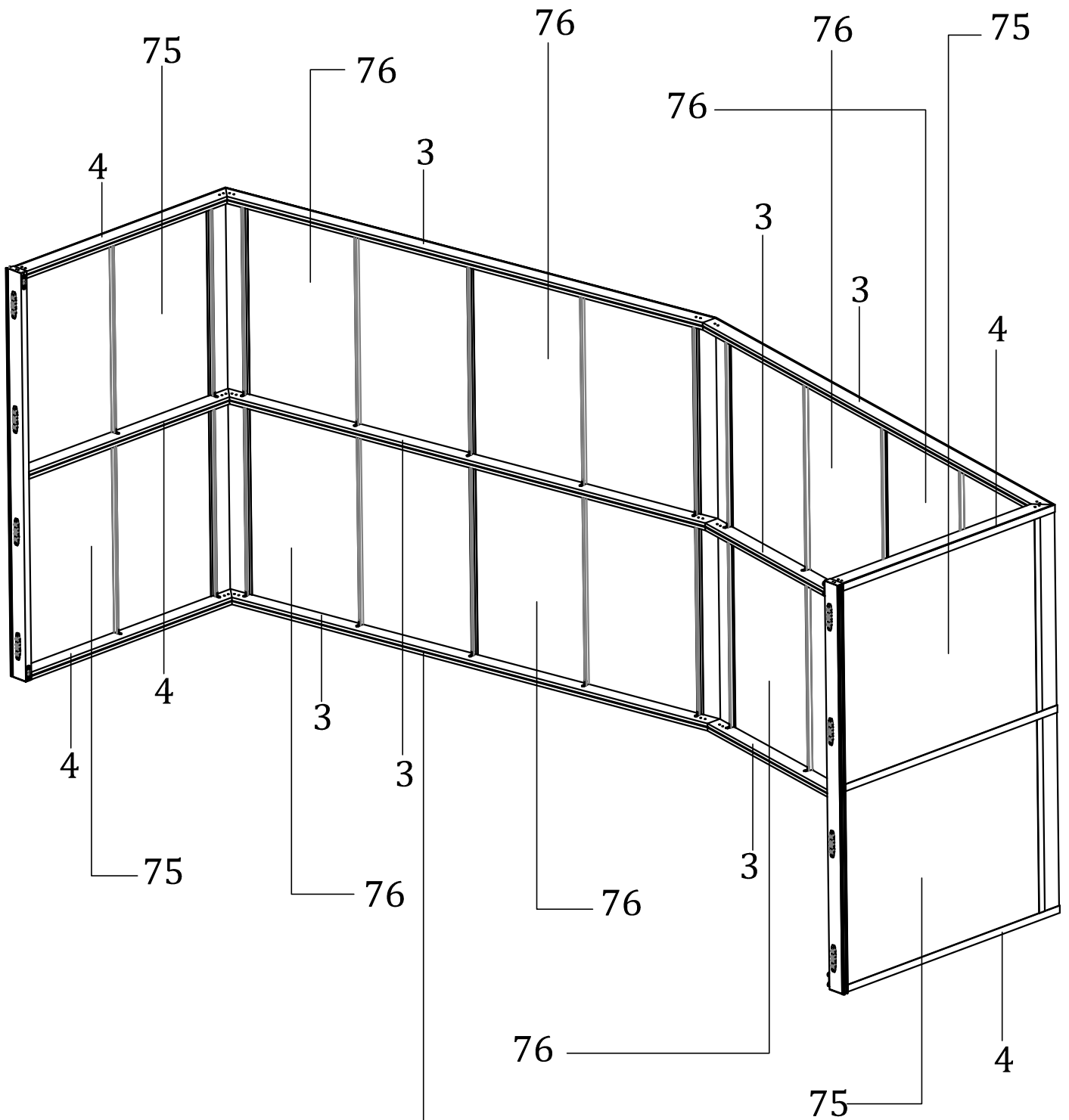
put the rubber like that, and then use a thin tool to push it inside completely, so that the 3mm PC sheet won't move inside



section 1 is completely mounted, now you need to mount the rest 4 section according to these steps. Before you mount the rest 3 section, you need to mount item 65 in suitable length in one side of the frame,

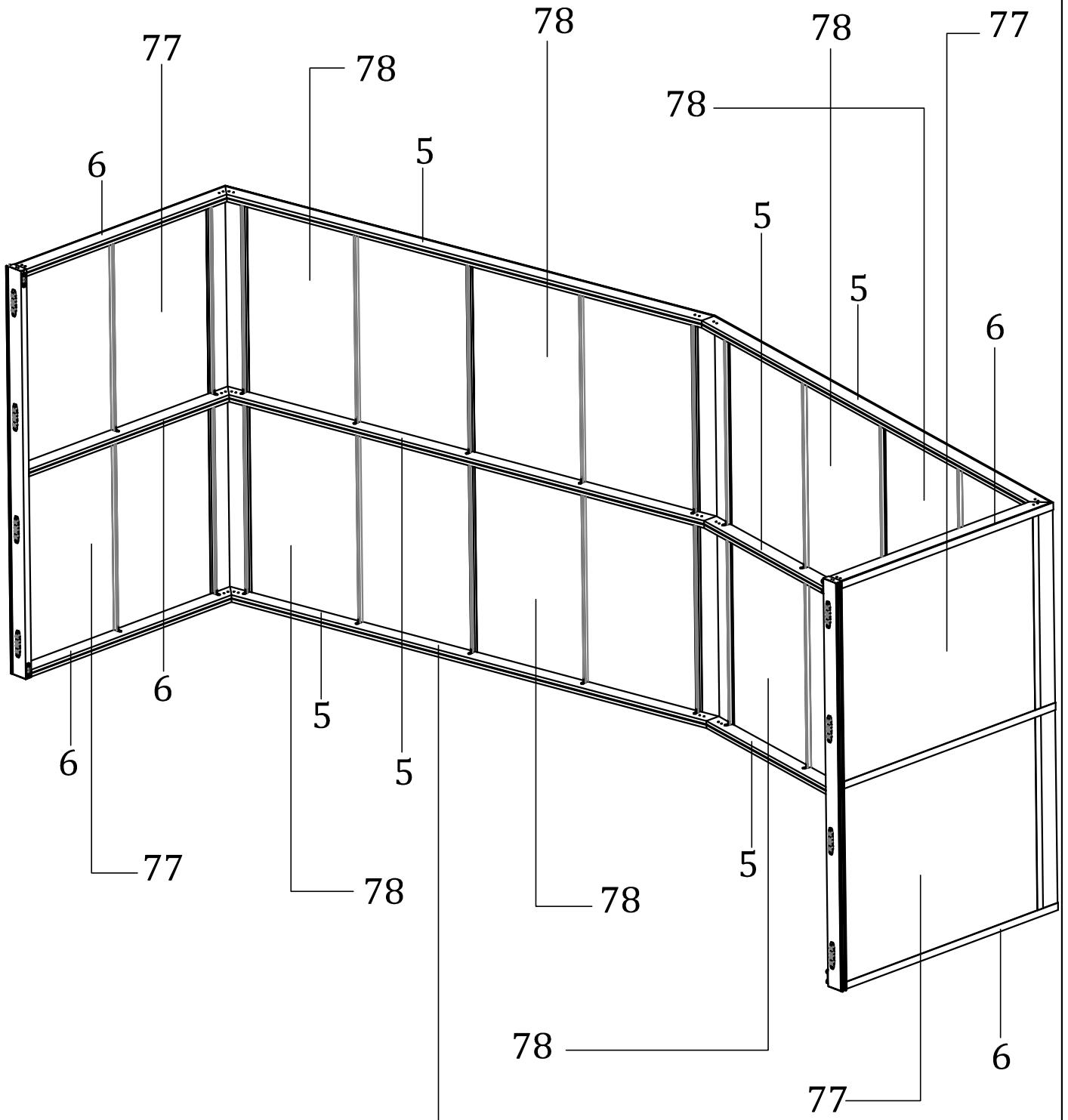


## section 2



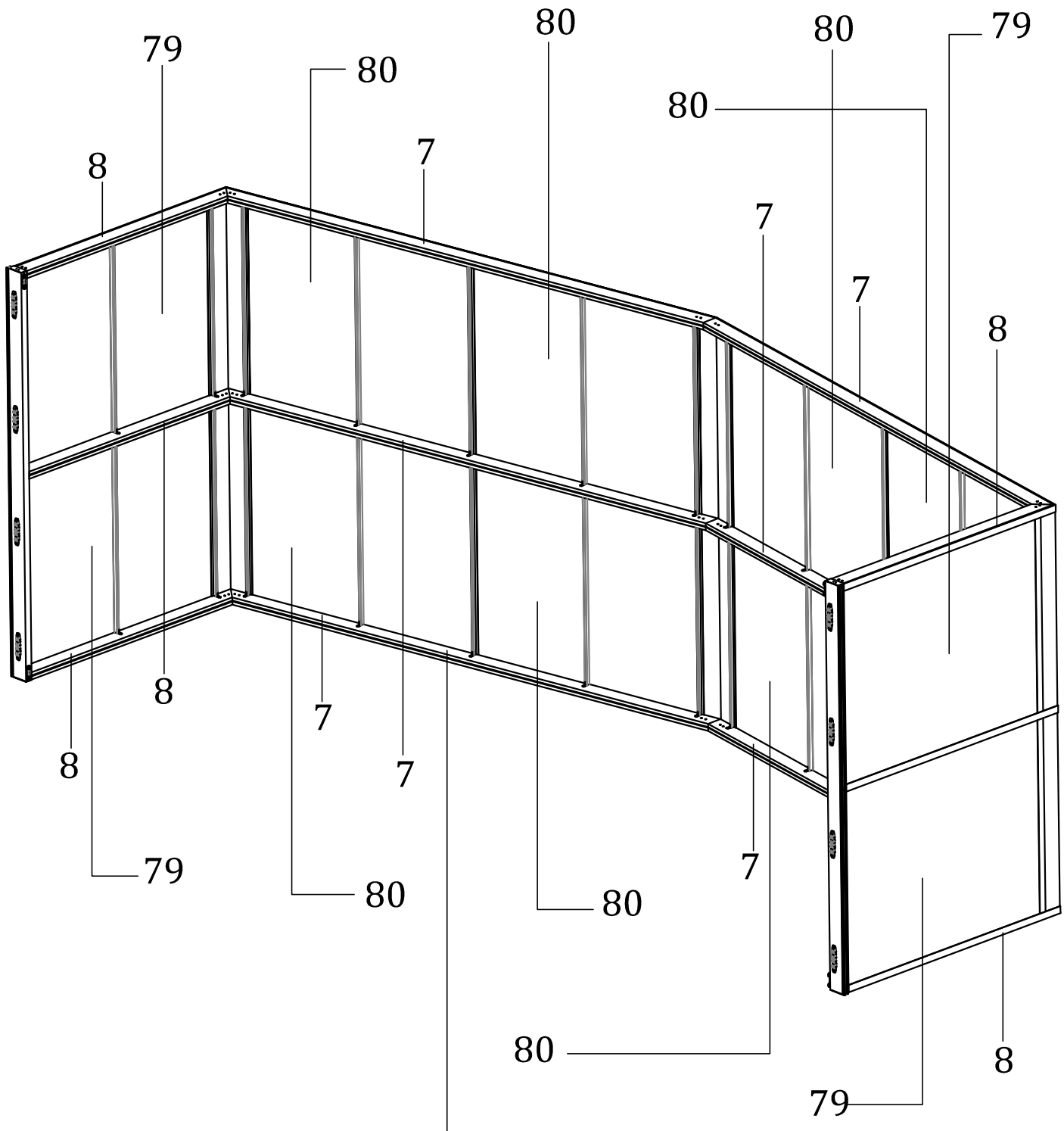
This beam need to mount item 65

# section 3



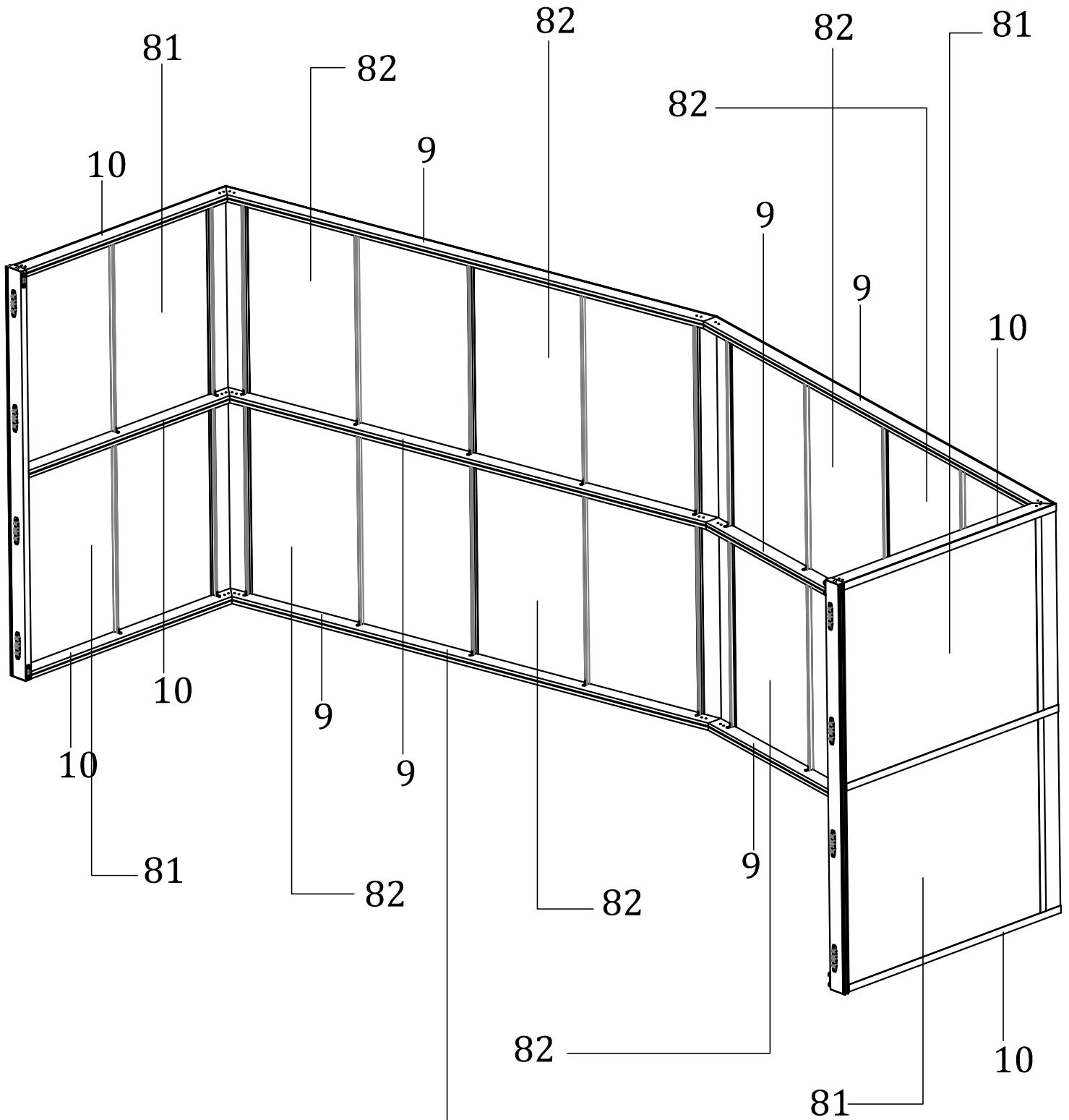
This beam need to mount item 65

# section 4



This beam need to mount item 65

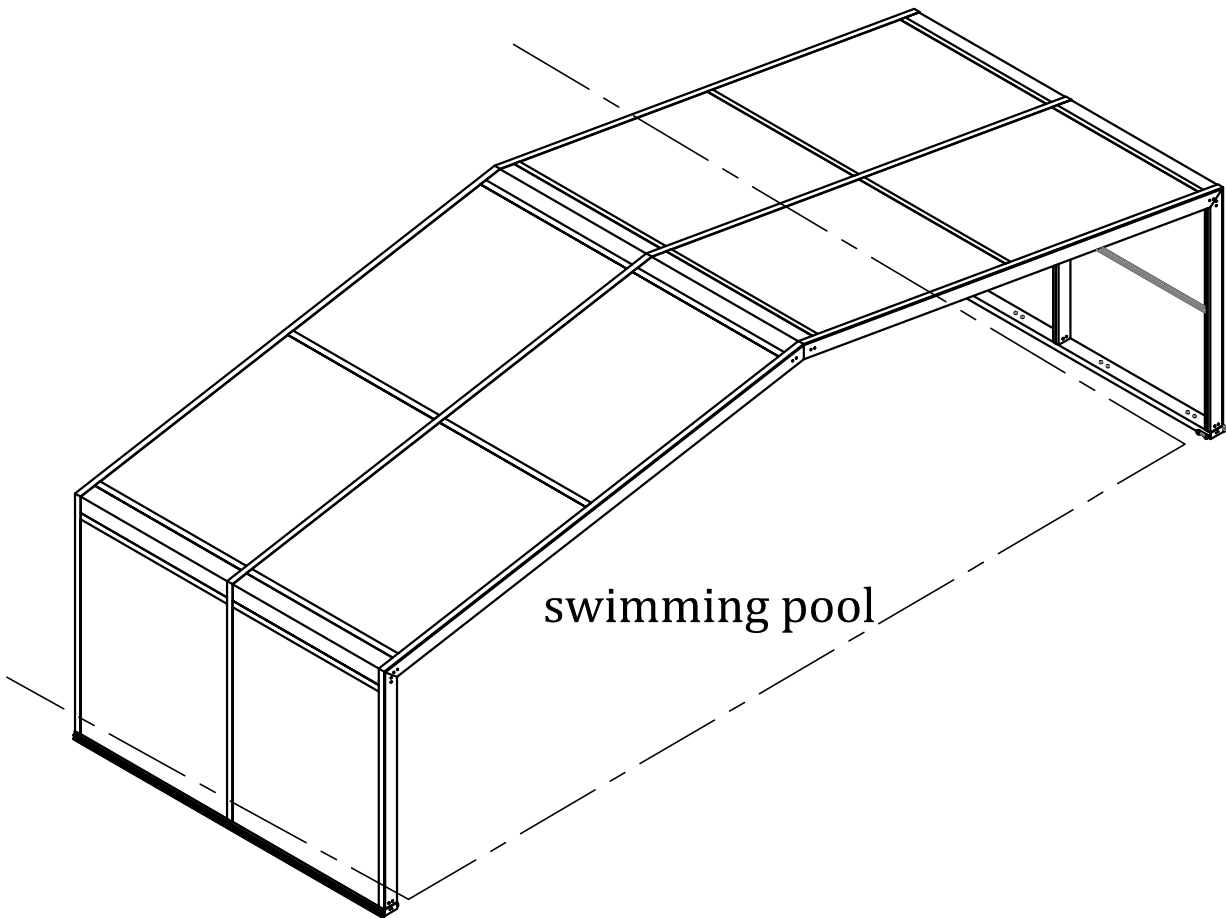
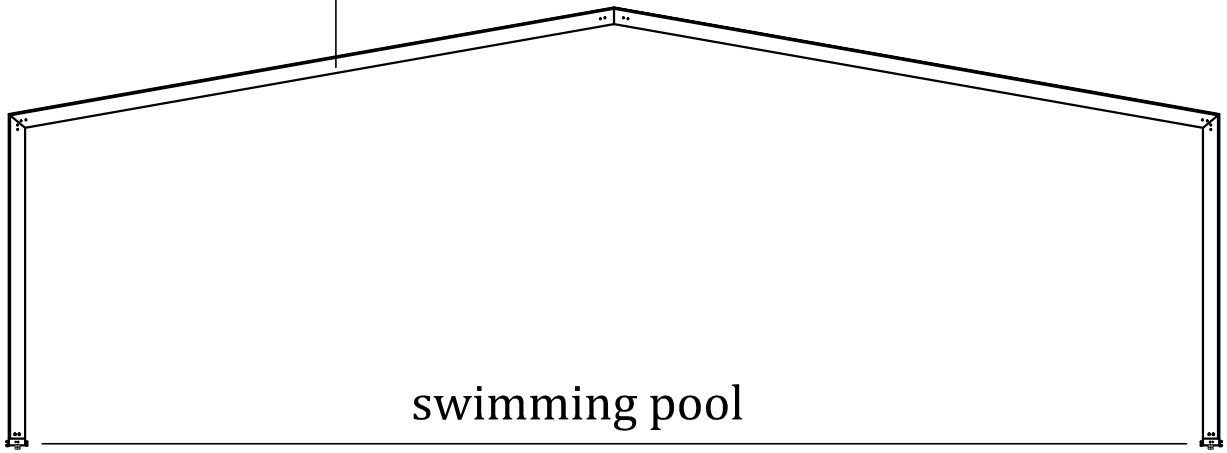
# section 5

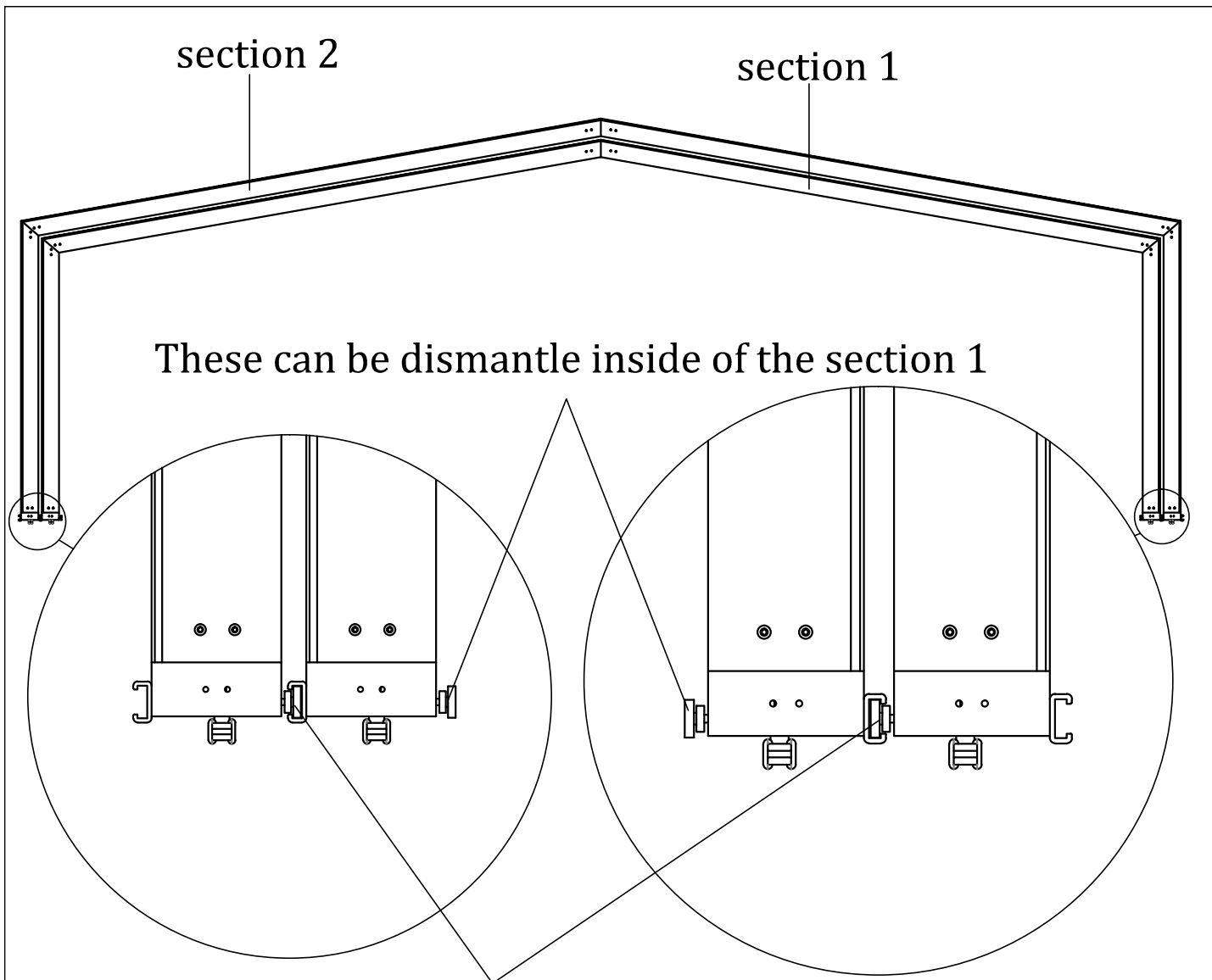


This beam need to mount item 65

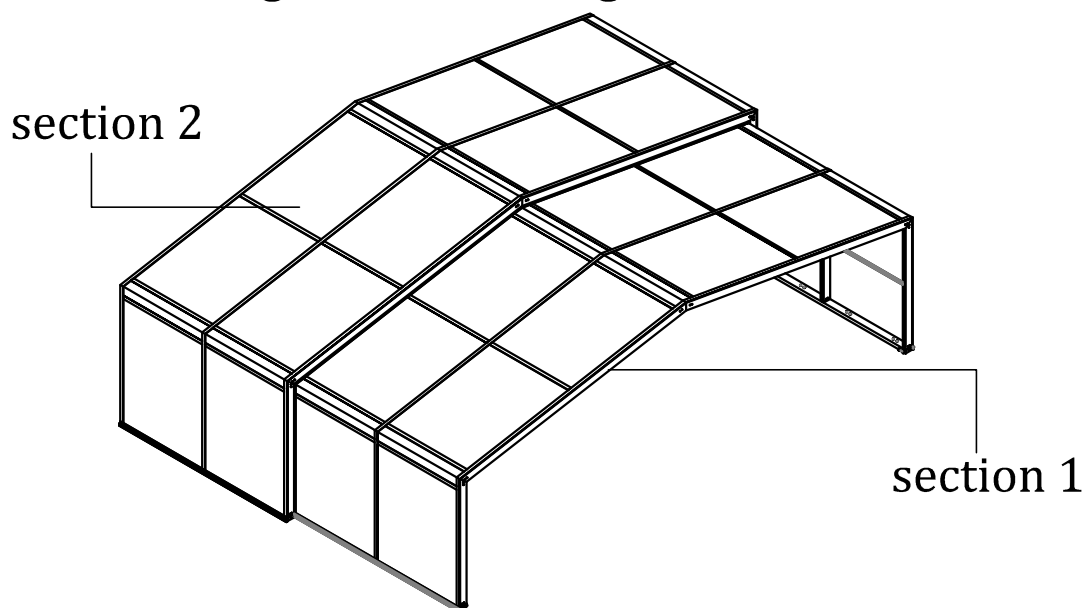


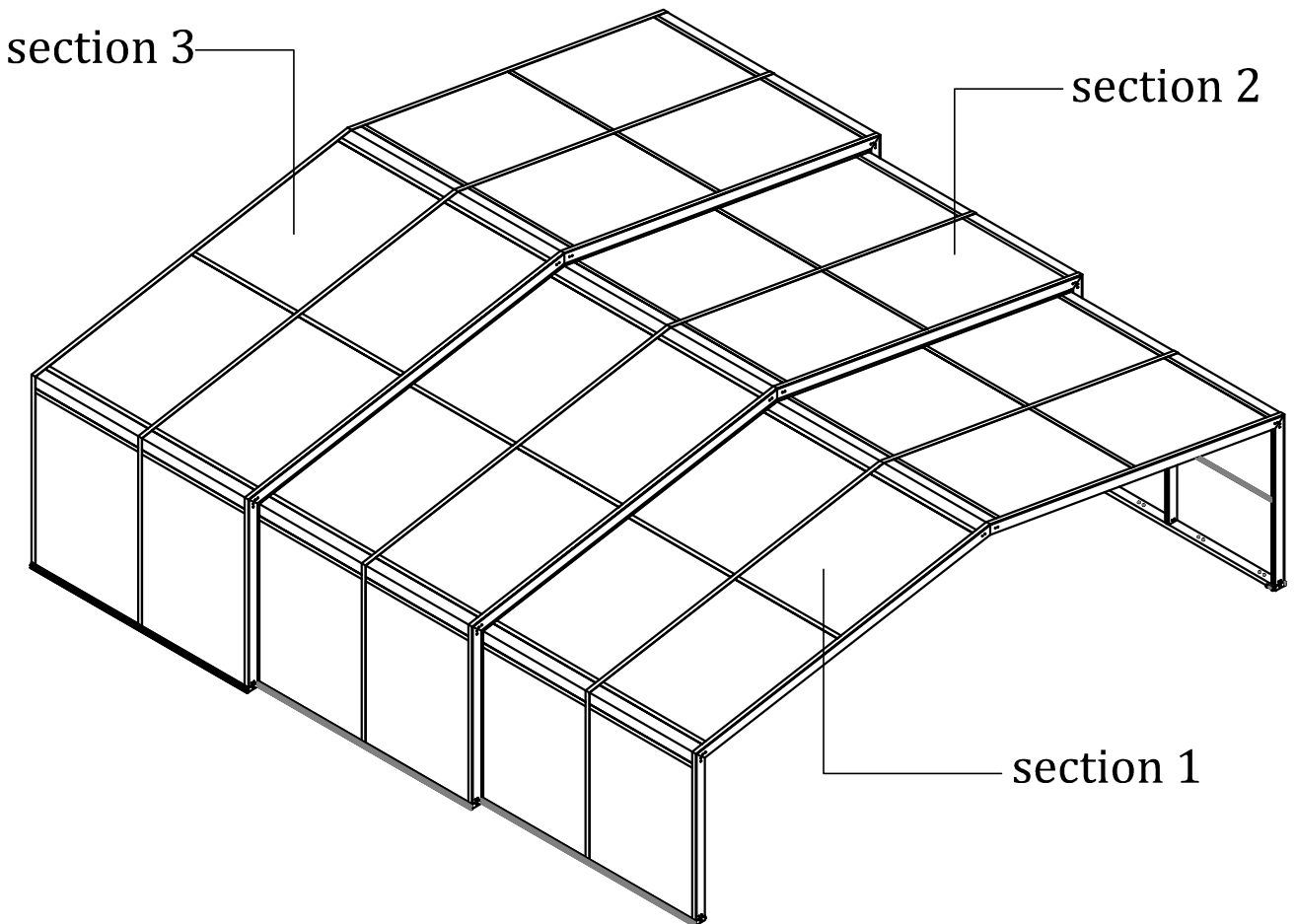
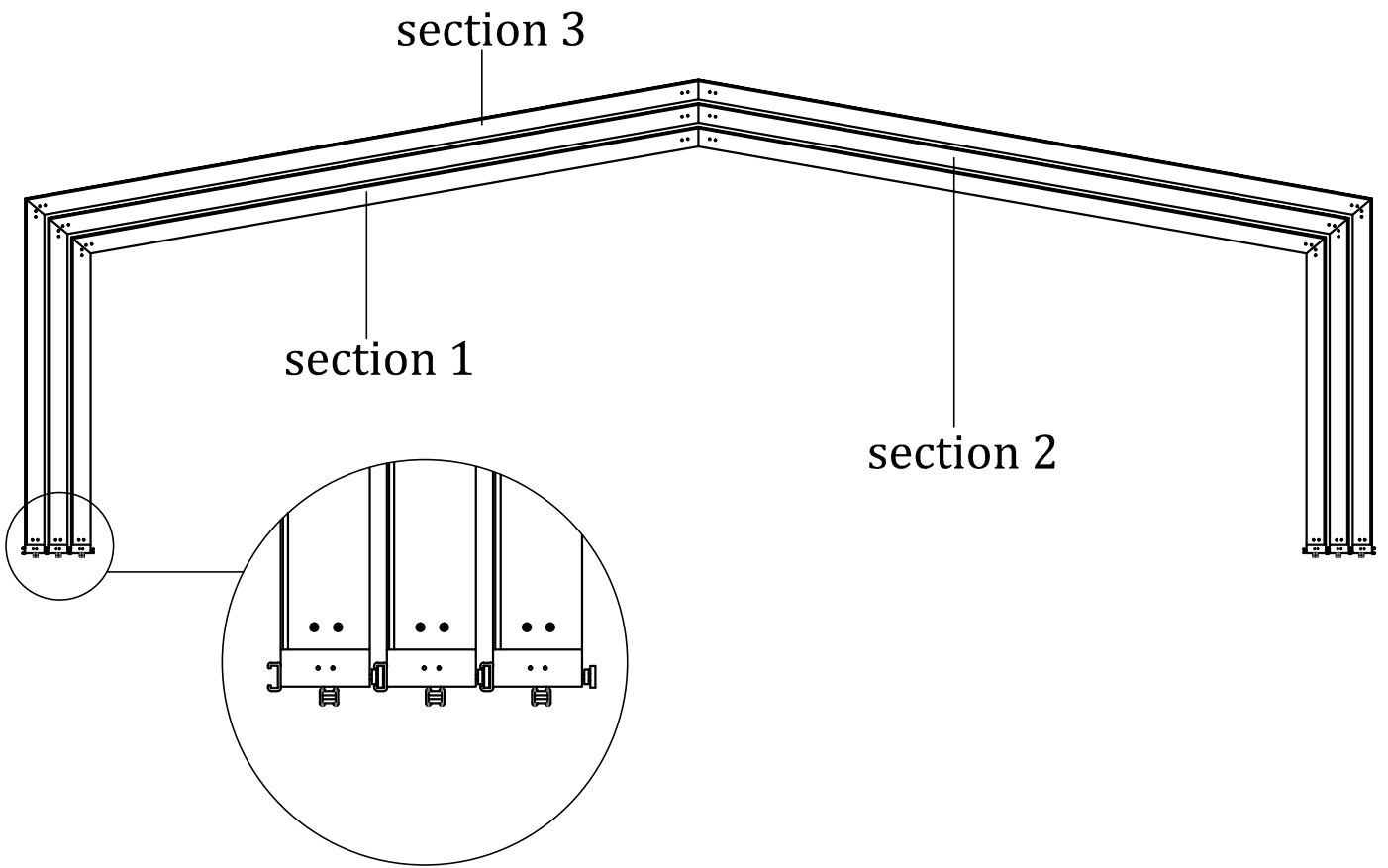
section 1

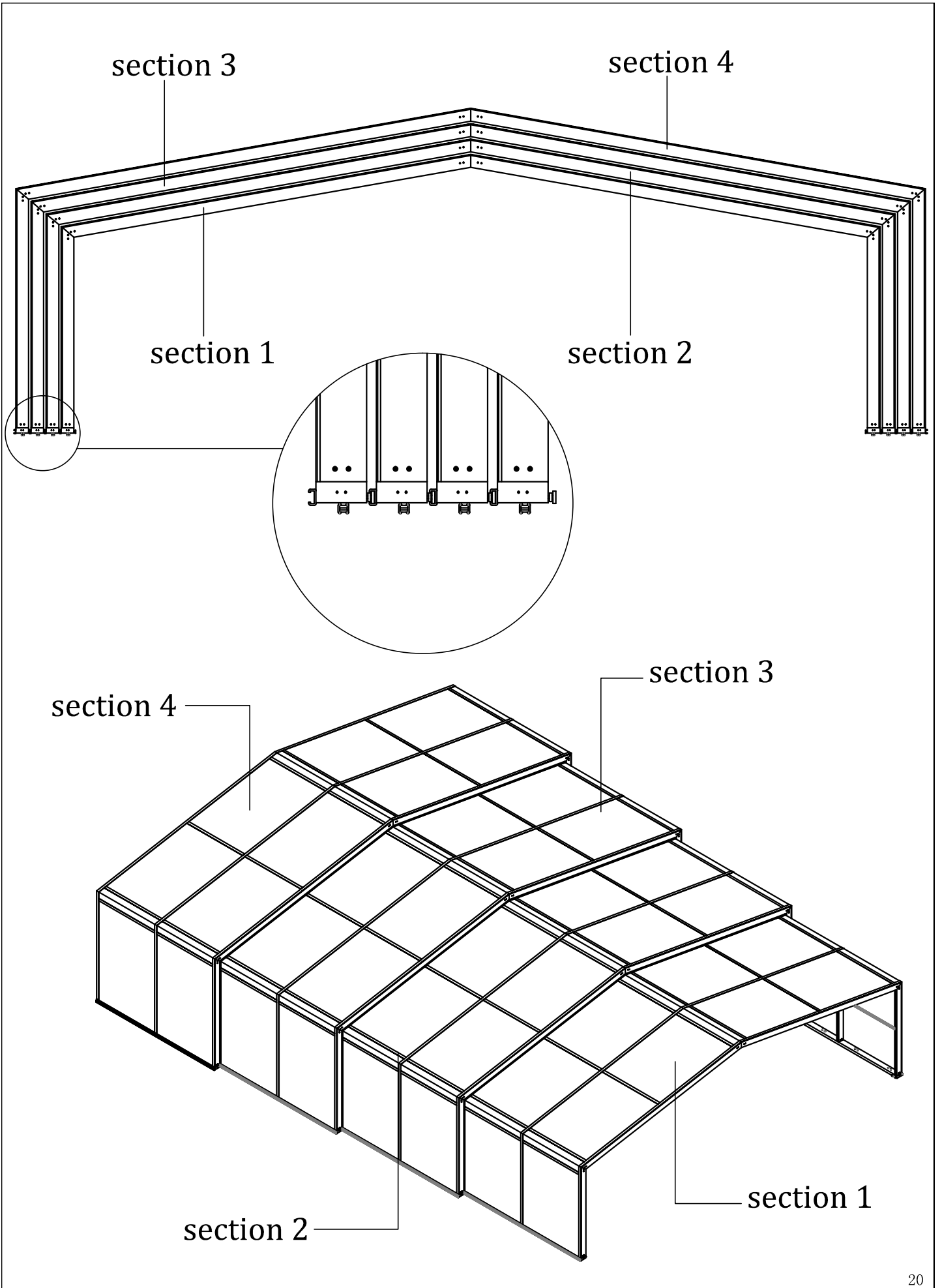


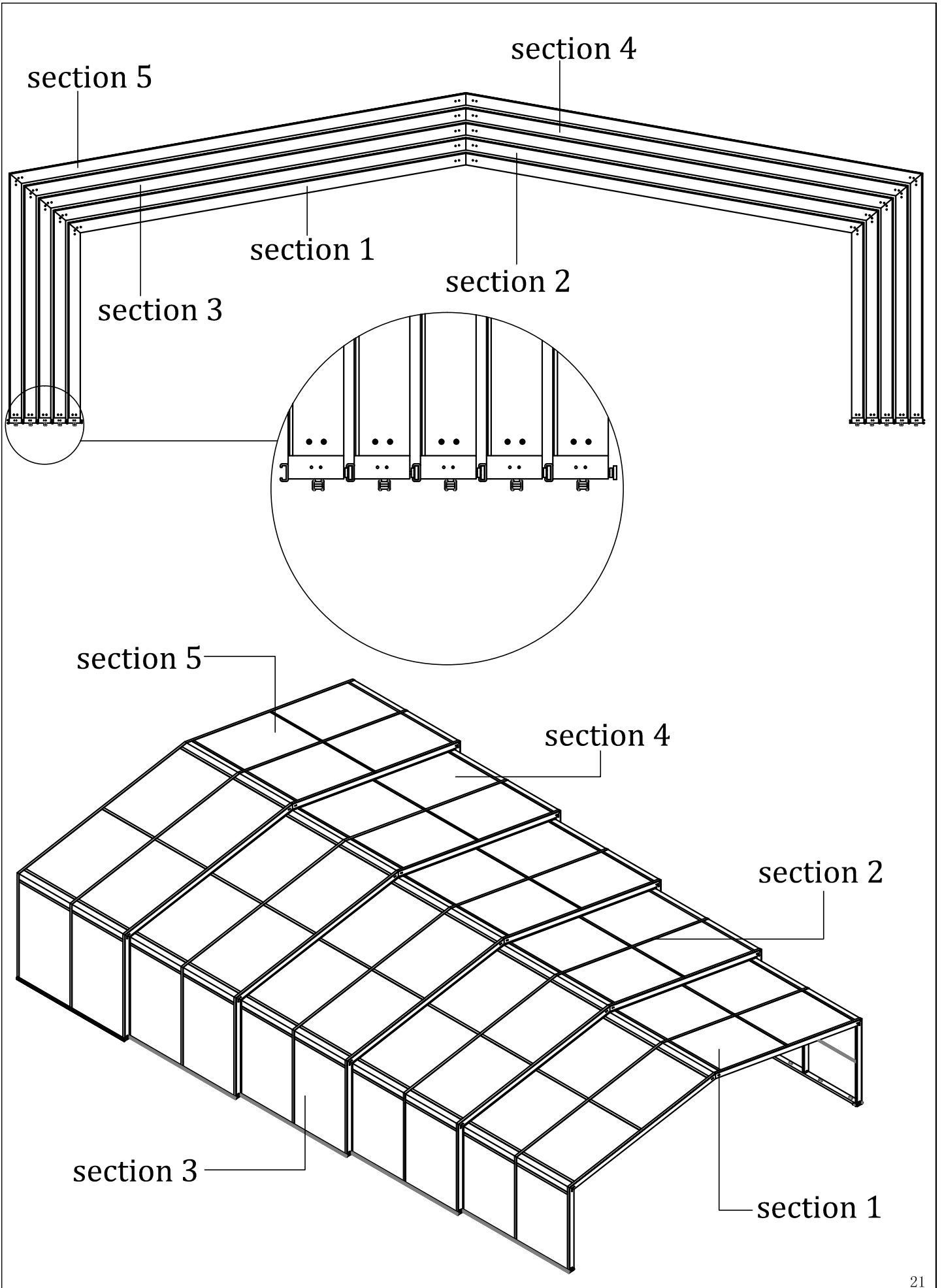


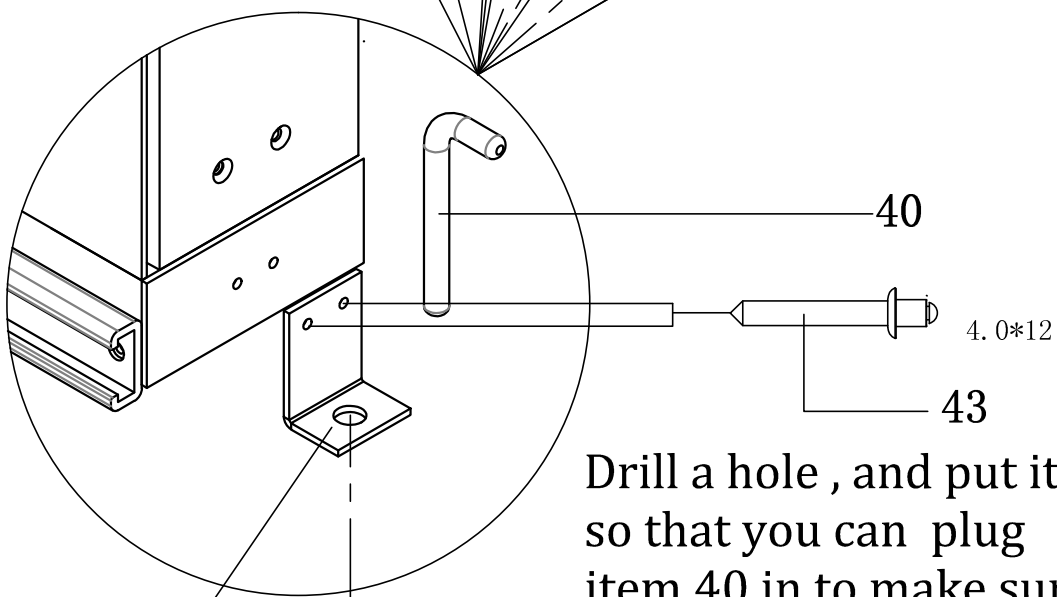
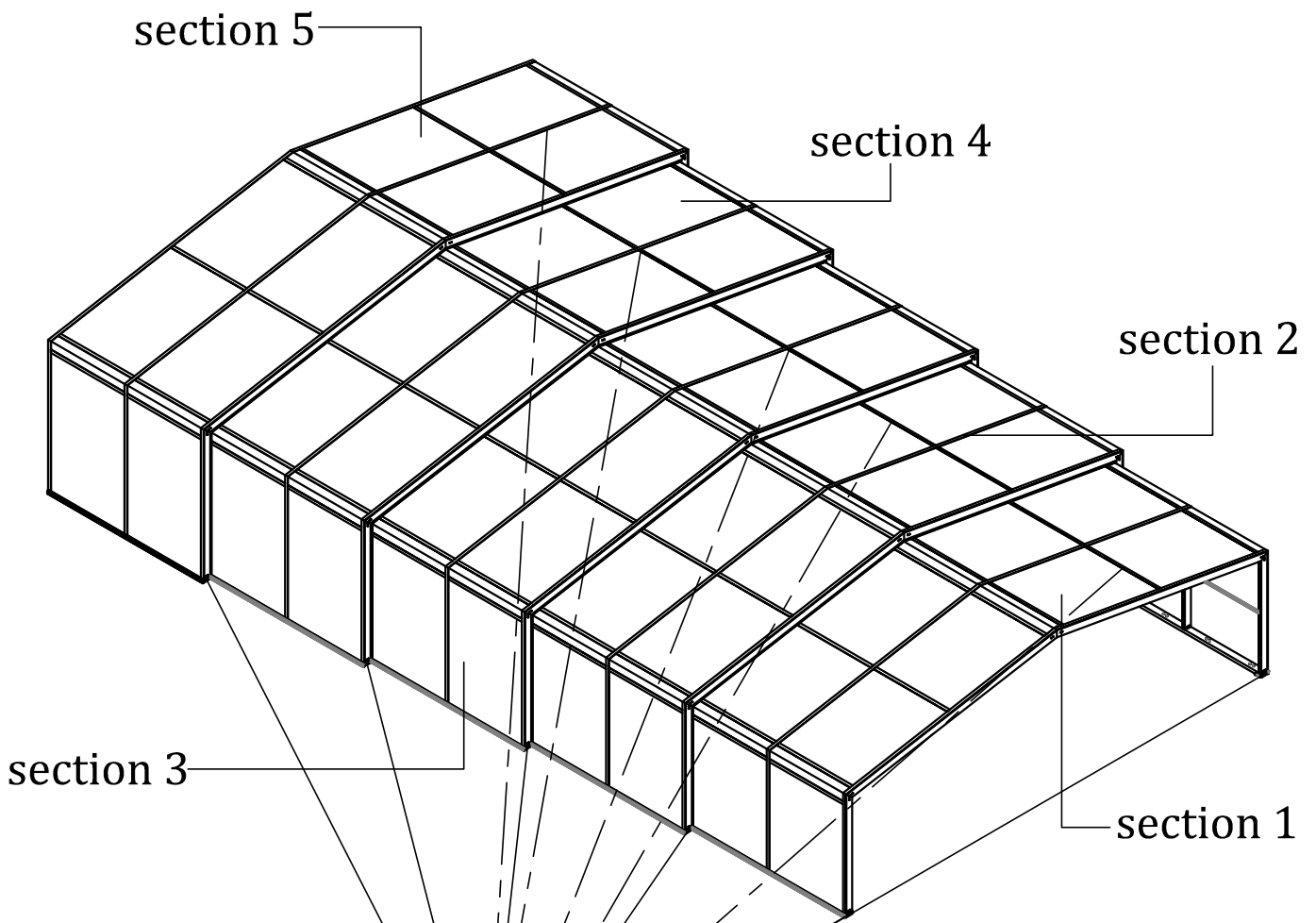
If you think use two side rails is a little difficult for mounting, you can dismantle the wheels on the item 11( side wheels).Use one side is enough for controlling the direction.



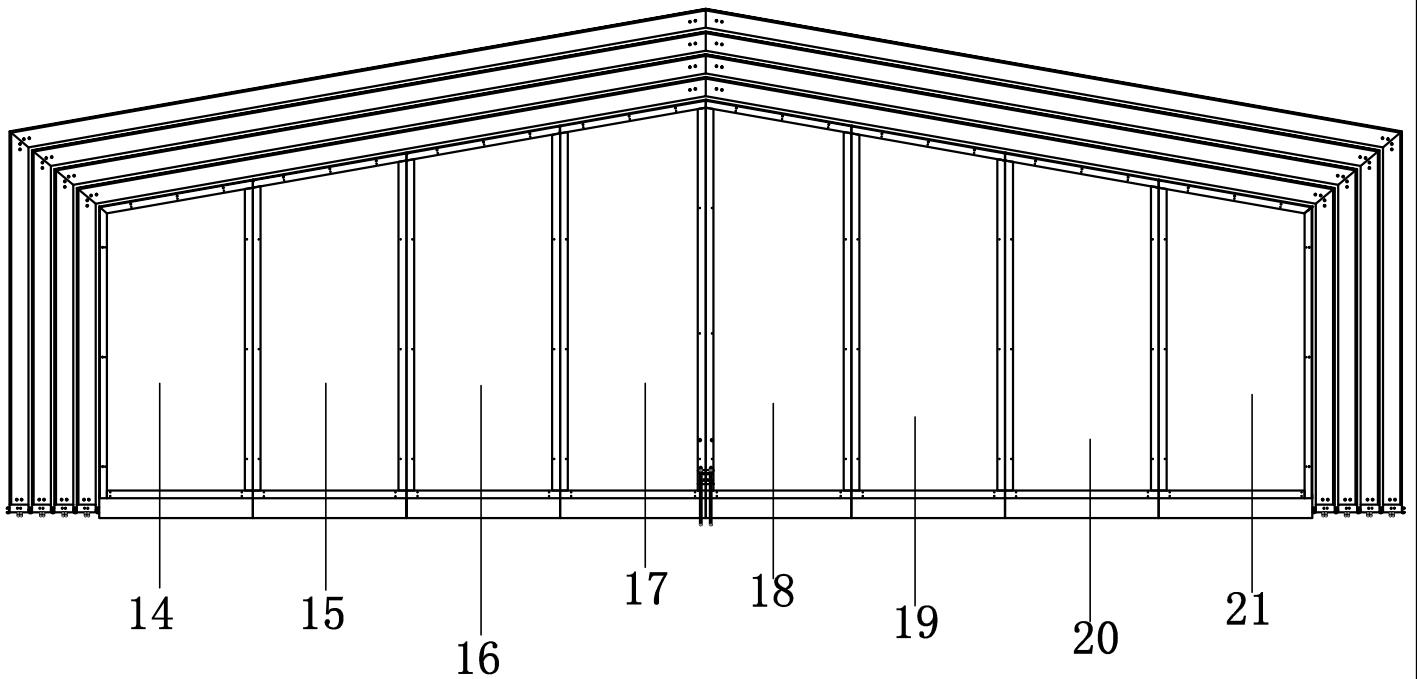






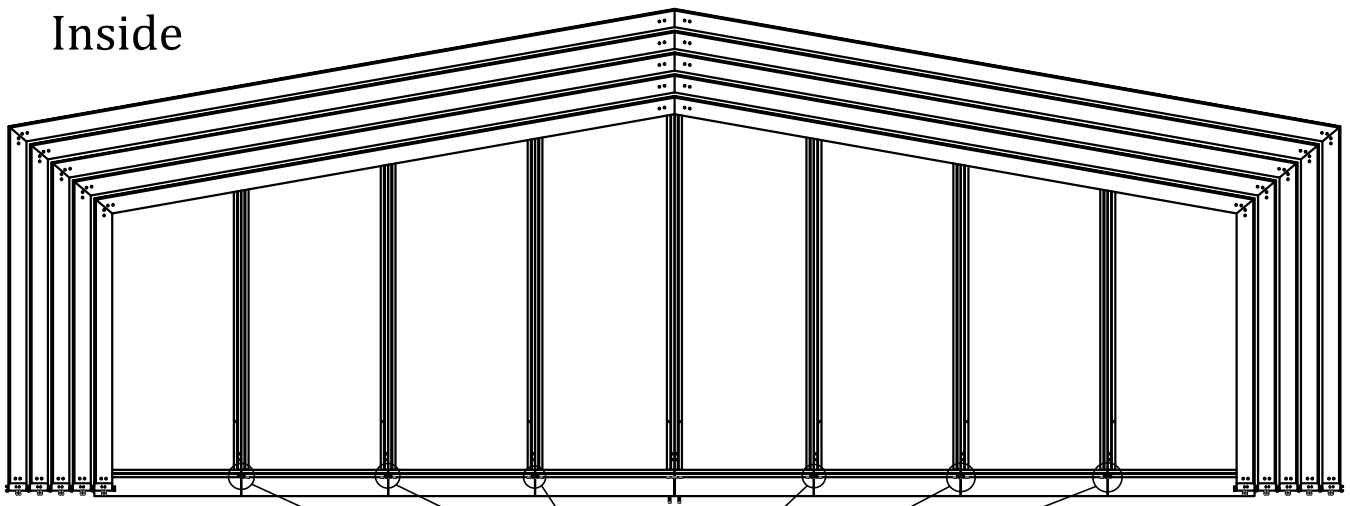


Drill a hole , and put item 52 inside,  
so that you can plug  
item 40 in to make sure you can  
fix the section



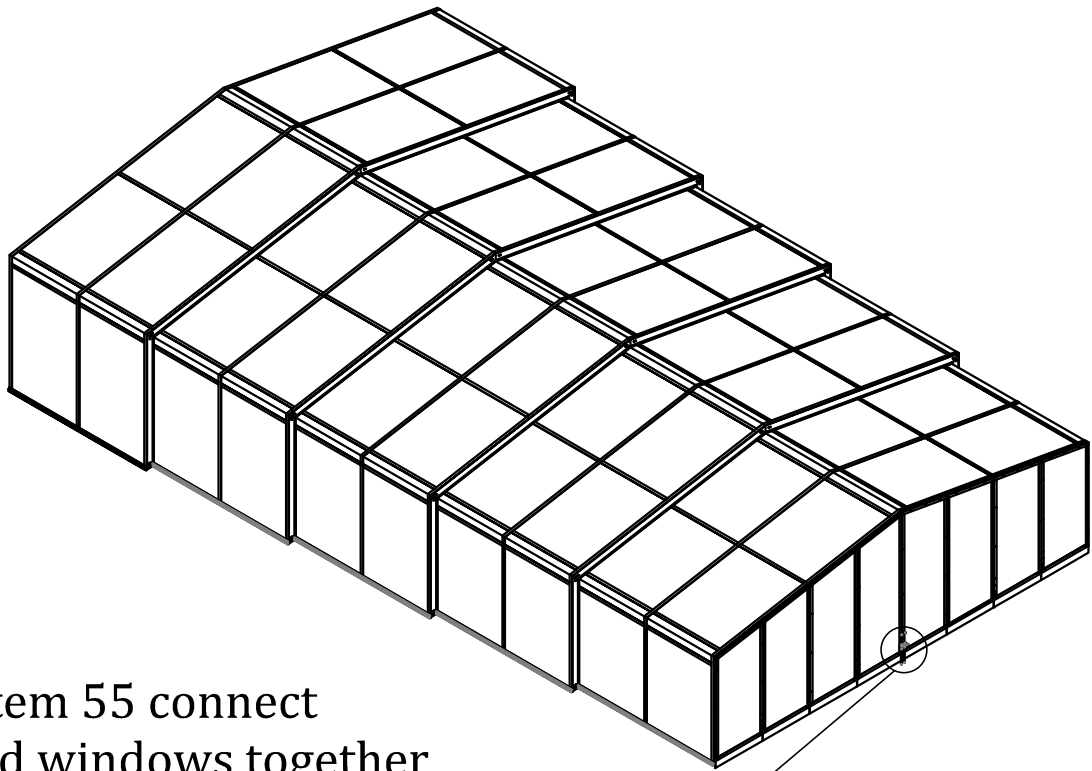
Item 14/15/16/17 /18/19/20/21is mounted on the section 1,  
 You first drill  $\text{Ø}4.8$  hole according to the  $\text{Ø}6$  hole in these  
 windows, and then use item 62(5.5\*50) to connect them in  
 the section 1

Inside

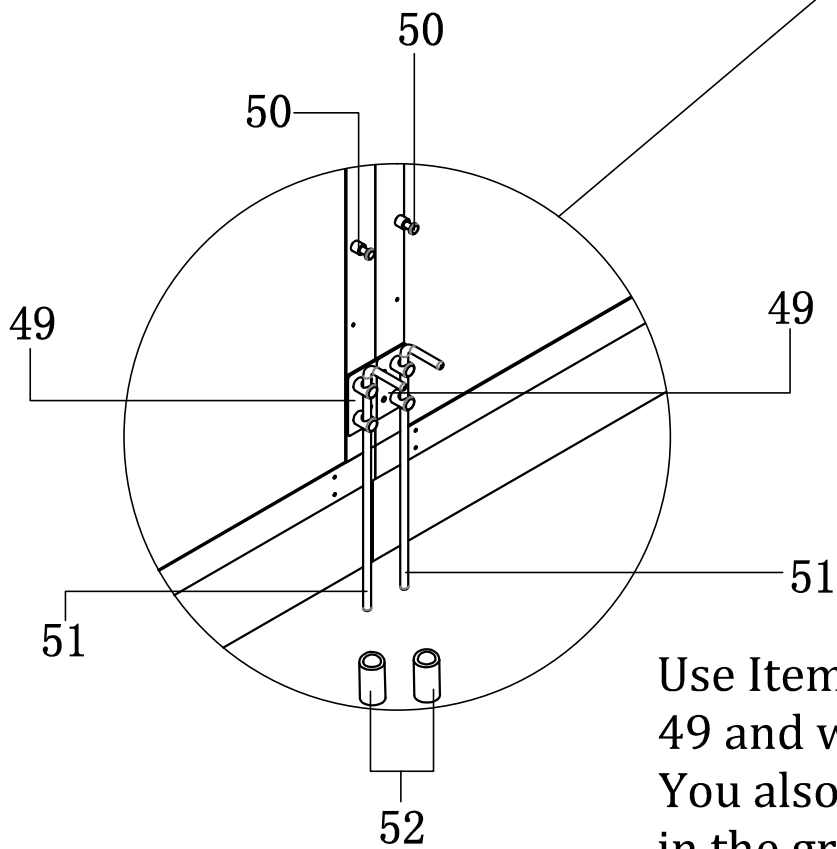


45

Use Item 43 connect  
 45 and windows together  
 inside of the pools cover



Use Item 55 connect  
50 and windows together

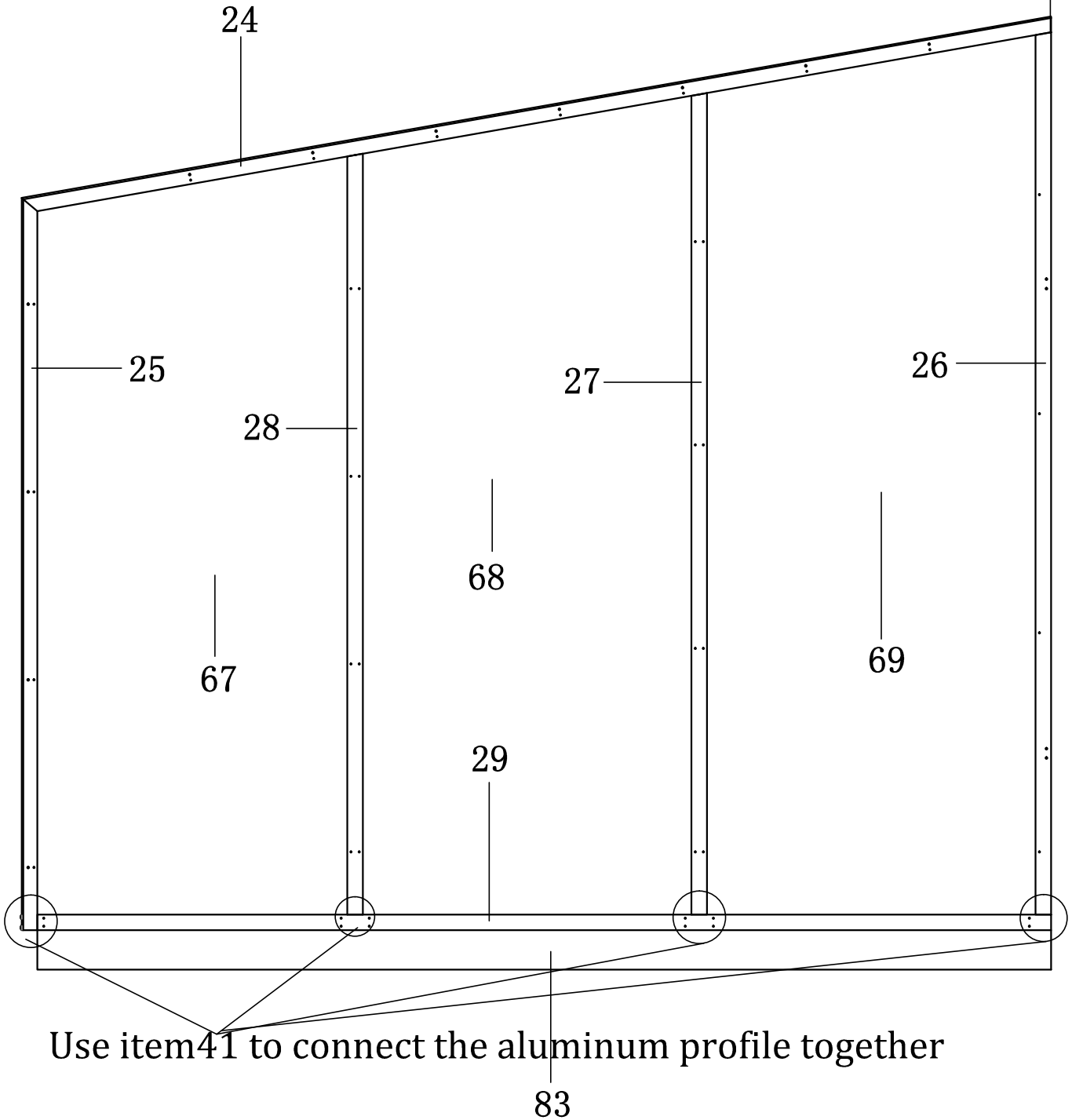


Use Item 56 and 57 connect  
49 and windows together.  
You also need to drill a hole  
in the ground and out item 52  
in, so that you can plug 49 in  
to fix the window



# Model G-L

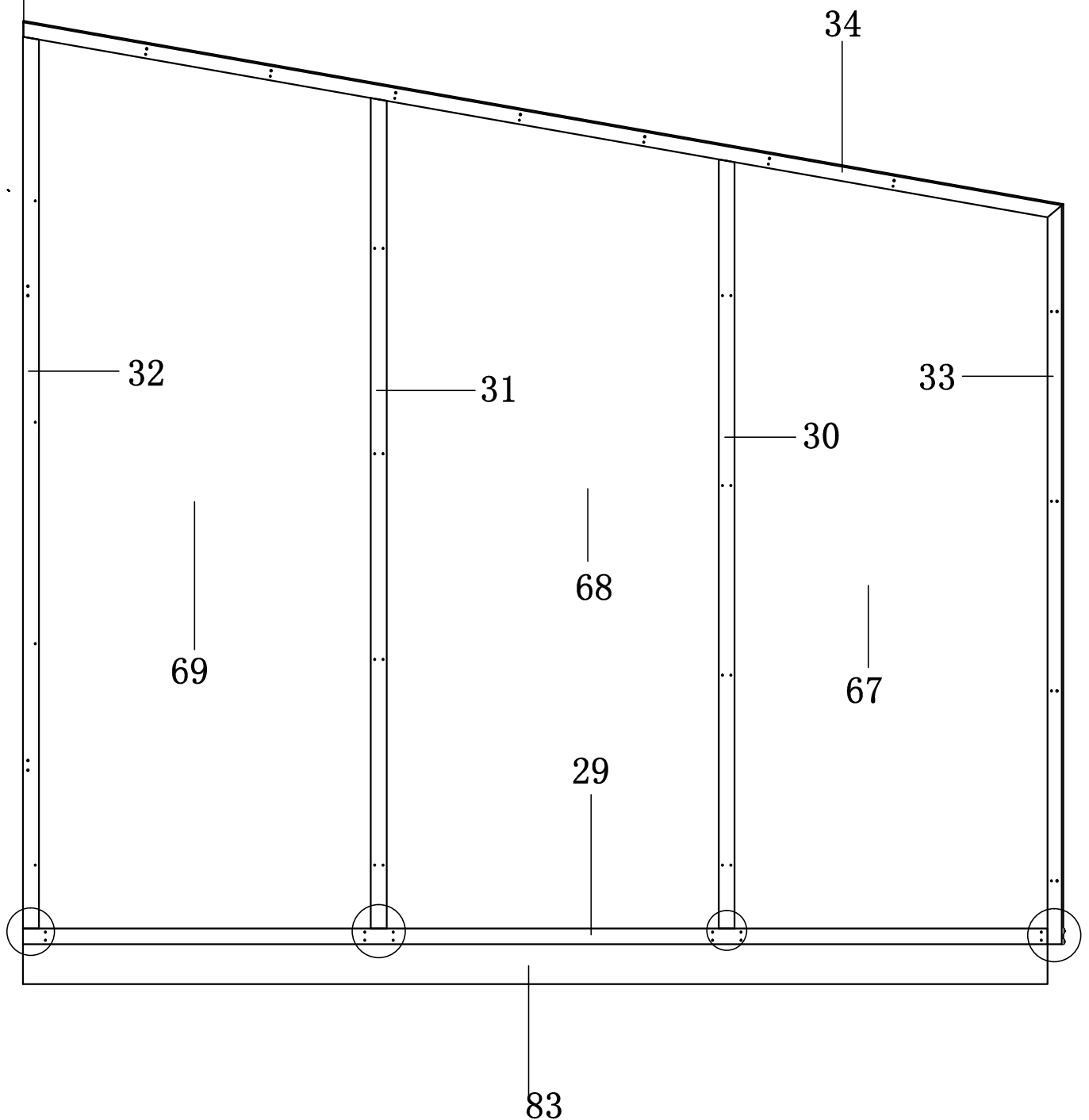
Item 45 is inside



Because this windows is so big , it is hard for transportation. So please assemble them according the small windows we have already mounted, don't forget to assemble the rubber

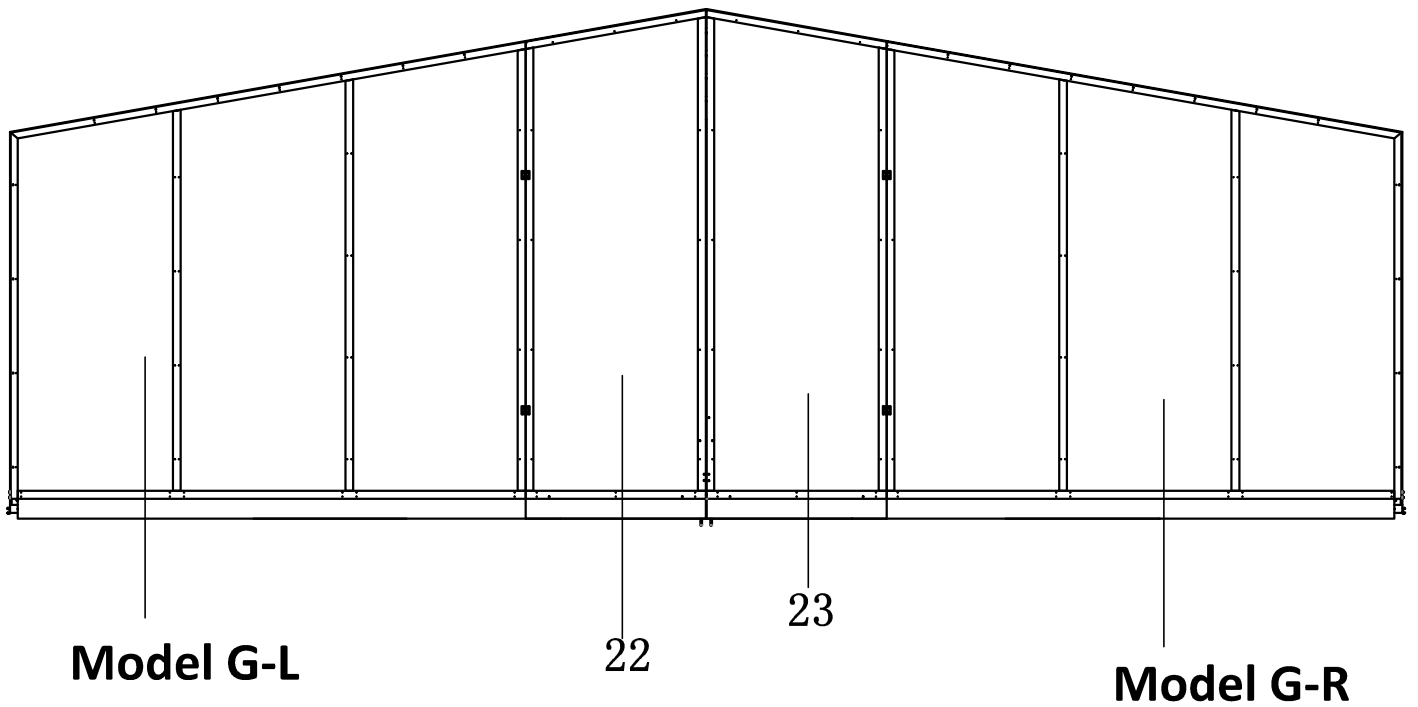
# Model G-R

Item 45 is inside



Use item41 to connect the aluminum profile together

Because this windows is so big , it is hard for transportation.  
So please assemble them according the small windows we  
have already mounted, don't forget to assemble the rubber



First mount the Model G-L and Model G-R on the section 5 (biggest section) with the item 62 . And then you mount item item 22 on the left with the hinge(46)/47 and 48 together.

