
**Portable Explosion Proof LED Light with Pedestal Stand - 2 X 150 Watt LED Lights -140°-Class 1
Div 1**

EPL-PM-2X150-LED-140DB-100



EPL-PM-2X150-LED-140DB-100

Lamp Type: Cree LED

Weight: 125lbs

Voltage: 120-277V AC 50/60Hz

Total Watts: 300

Total Lumens: 42,000

Luminous Efficacy: 140 Lm/W

Color Temp: 5000K, 4000K, 3000K

Lighting Configuration: Flood Pattern

Beam Angle:140°

Mounting: Pedestal Stand w/ Handle

Wiring: 100 Feet SOOW Abrasive Oil Resistant Cord.

Ratings/Approvals

Class 1 Division 1, Groups C and D

Class 1 Division 2, Group C,D

Class II, Division 1 - 2, Groups E,F,G

ETL Certified U.S. Standards

ECP1523 Class 1 explosion proof plug

Wet Area / Marine Environment Approved

Special Orders- Requirements

Contact us for special requirements

Phone: 1-214-616-6180

Toll Free: 1-800-369-6671

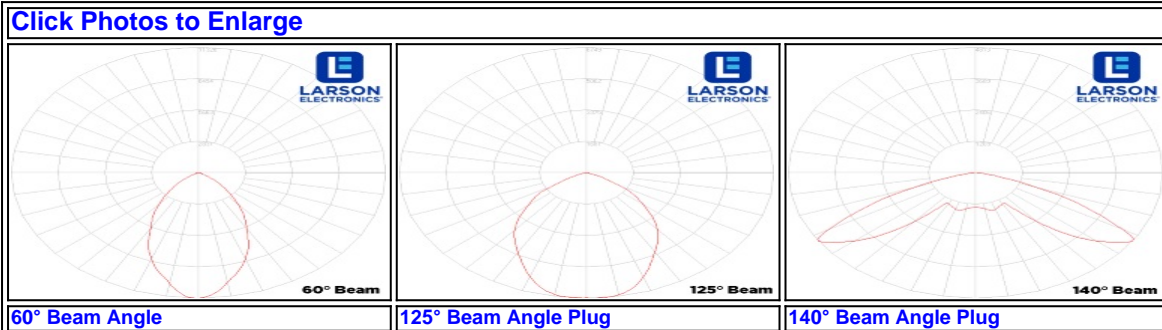
Fax: 1-903-498-3364

E-mail: sales@larsonelectronics.com

Made in the USA

The Larson Electronics EPL-PM-2X150-LED-140DB-100 Pedestal Mounted Explosion Proof LED Light from Larson Electronics is rated Class 1 Division 1-2 Groups C & D and Class 2 Division 1-2 and uses two 16 inch Cree LED light head to produce 42,000 lumens of light while drawing only 150 watts each.

The EPL-PM-2X150-LED-140DB-100 pedestal mounted explosion proof LED light provides operators in hazardous locations flammable vapors, gases and dusts may be present with a versatile lighting solution for operations where easily managed large scale illumination of the workspace is required. Two 150 watt LED lamps provide instant on light coverage while a Class 1 Division 1 Groups C and D ETL approval assures reliable protection against inadvertent ignitions.



Beam Angles: When used as a portable lighting solution, the varying beam angles are each individually ideal for several environments. The 60° beam provides the most intense beam of the three options. It is perfect for narrow, confined spaces and is ideally suited for tank cleaning purposes. It offers focused light to provide ample illumination to tight work spaces and other environments. The 125° beam offers a more diffused source of light that is also less intense in brightness. It is a great general area work light and performs well when used for outdoor illumination. The 140° beam offers a very wide lighting pattern and is ideal for situations where lighting distance is not a concern, but illumination of a wider area and even light distribution is. The 140° beam is great for situations that call for working in close proximity to lights such as in a paint booth. This portable explosion proof LED lighting system is designed to provide operators in hazardous locations with an easily deployed and highly stable ETL approved lighting platform. Included with this unit are two 150 watt LED lamps and 100 feet of abrasive and oil resistant SOOW cord terminating in an ECP 1523 5-15P Class 1 Division 1 explosion proof straight blade plug. The two LED lamps are mounted to a metal pedestal platform with adjustable brackets that provide vertical adjustability. A single carrying handle is included to provide easy carrying and movement of the unit from one location to another.

The EPL-PM-2X150-LED-100 hazardous location LED light is an ideal replacement for fragile and hot running 400 watt metal halide floodlights. This lamp is suitable for use in areas where flammable petrochemical vapors are sometimes present. This light is highly durable, produces high light output in a wide flood pattern, and operates effectively at temperatures to -40 degrees C up to 80 degrees C. This pedestal mounted LED light provides instant on lighting and is rated for use in wet areas and marine environments. This unit is also multi-voltage capable and can configured to operate on 120-277 volts 50/60 Hz. This LED light head retains 80% of its lumen output after 50,000 hours of use, far longer than incandescent or fluorescent lamps.

Metal Halide vs. LED Comparison

	<u>Metal Halide</u>	<u>LED</u>
Wattage	800 watts	300 watts
Amp Draw @ 120V	6.67 amps	2.5 amps
Amp Draw @ 277V	2.89 amps	1.09 amps
Lamp Life Expectancy	20,000 hours	50,000 hours
Color Temperature	4000K	6000K
Operation cost per year (6hs/day @ 11c/kWh)	\$176	\$66

Larson Electronics LLC
9419 E US HWY 175, Kemp, TX 75143
Phone: 800.369.6671



www.LarsonElectronics.com
Email: sales@LarsonElectronics.com
Fax: 903.498.3364

Options:

EPL-PM-2X150-LED-140DB-100-Voltage-Cord Cap

Example: EPL-PM-2X150-LED-140DB-100-1227-1227

Voltage	
120-277V AC	-1227
11-25V AC/DC	-1224

Cord Cap	
5-15P	-1227
5-20P	-1224

Links (Click on the below items to view):

- [large](#)
- [medium](#)
- [SpecSheet](#)
- [HigResPic1](#)