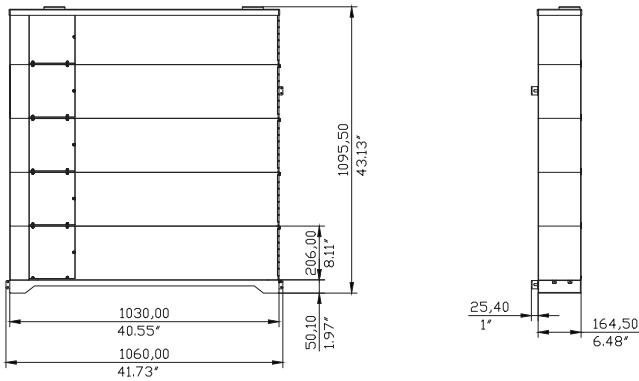




# ARROW - ULTRA-THIN HV BATTERY

High Voltage Energy Storage Solution

- Ultra-thin profile great for space-saving efficiency
- IP65 + NEMA3R outdoor ratings for water and dust proof installations
- Integrated heat plate for winter environments
- Built in aluminum heat sink for fast heat dissipation
- Modular design for fast installation and easy expansion



Model	HV-9.6	HV-14.4	HV-19.2	HV-24	HV-28	HV-33	HV-38
Battery Module	2 modules	3 modules	4 modules	5 modules	6 modules	7 modules	8 modules
Nominal Voltage (V)	96	144	192	240	288	336	384
Operation Voltage Range (V)	84-109	126-164	168-219	210-274	252-328	294 - 383	336 - 438
Nominal Capacity (Ah)	100	100	100	100	100	100	100
Nominal Energy (kWh)	9.6	14.4	19.2	24.0	28.8	34.3	38.4
Nominal Charge/Discharge Current (A)	50	50	50	50	50	50	50
Maximum Units in Parallel	2	2	2	2	2	2	2
Warranty (years)	10	10	10	10	10	10	10
Cycle Life @ EOL 70%	6,000	6,000	6,000	6,000	6,000	6,000	6,000
Communication Protocol	CAN/RS485	CAN/RS485	CAN/RS485	CAN/RS485	CAN/RS485	CAN/RS485	CAN/RS485
Weight (lbs)	220.4 lbs	308.6 lbs	396.8 lbs	485.0 lbs	573.2 lbs	661.4 lbs	749.6 lbs
Size (in) (LxHxD)	40.5 x 26.3 x 6.5	40.5 x 34.5 x 6.5	40.5 x 42.7 x 6.5	40.5 x 50.9 x 6.5	40.5 x 59.1 x 6.5	40.5 x 67.3 x 6.5	40.5 x 75.5 x 6.5
Protection Rating	IP65	IP65	IP65	IP65	IP65	IP65	IP65
Operation Temperature	-10°C to 55°C	-10°C to 55°C	-10°C to 55°C	-10°C to 55°C	-10°C to 55°C	-10°C to 55°C	-10°C to 55°C
Certifications **pending**	UL1973, UL9540, UL9540A, CEC, SGIP, AC156	UL1973, UL9540, UL9540A, CEC, SGIP, AC156	UL1973, UL9540, UL9540A, CEC, SGIP, AC156	UL1973, UL9540, UL9540A, CEC, SGIP, AC156	UL1973, UL9540, UL9540A, CEC, SGIP, AC156	UL1973, UL9540, UL9540A, CEC, SGIP, AC156	UL1973, UL9540, UL9540A, CEC, SGIP, AC156
Transportation Classification	UN3480, Class 9	UN3480, Class 9	UN3480, Class 9	UN3480, Class 9	UN3480, Class 9	UN3480, Class 9	UN3480, Class 9