



US009474876B1

(12) **United States Patent**
Kahn et al.

(10) **Patent No.:** **US 9,474,876 B1**
(45) **Date of Patent:** **Oct. 25, 2016**

- (54) **SLEEP AID EFFICACY**
- (71) Applicants: **Philippe Kahn**, Santa Cruz, CA (US);
Arthur Kinsolving, Santa Cruz, CA (US)
- (72) Inventors: **Philippe Kahn**, Santa Cruz, CA (US);
Arthur Kinsolving, Santa Cruz, CA (US)
- (73) Assignee: **DPTechnologies, Inc.**, Scotts Valley, CA (US)
- (*) Notice: Subject to any disclaimer, the term of this patent is extended or adjusted under 35 U.S.C. 154(b) by 485 days.

4,573,804 A	3/1986	Kavoussi et al.
4,858,609 A	8/1989	Cole
5,008,865 A	4/1991	Shaffer et al.
5,335,657 A	8/1994	Terry, Jr. et al.
5,458,105 A	10/1995	Taylor et al.
5,928,133 A	7/1999	Halyak
6,239,706 B1	5/2001	Yoshiike et al.
6,350,275 B1	2/2002	Vreman et al.
6,361,508 B1	3/2002	Johnson et al.
6,468,234 B1	10/2002	Van der Loos et al.
6,547,728 B1	4/2003	Cornuejols
6,888,779 B2	5/2005	Mollicone et al.
6,928,031 B1	8/2005	Kanevsky et al.
7,106,662 B1	9/2006	Acker
7,280,439 B1	10/2007	Shaddox
7,366,572 B2	4/2008	Heruth et al.
7,572,225 B2	8/2009	Stahmann et al.
7,914,468 B2	3/2011	Shalon et al.

(Continued)

(21) Appl. No.: **13/842,618**

FOREIGN PATENT DOCUMENTS

(22) Filed: **Mar. 15, 2013**

AU	2003203967	11/2004
DE	19642316 A1	4/1998

(Continued)

Related U.S. Application Data

(60) Provisional application No. 61/737,717, filed on Dec. 14, 2012.

OTHER PUBLICATIONS

- (51) **Int. Cl.**
A61M 21/00 (2006.01)
A61M 21/02 (2006.01)
- (52) **U.S. Cl.**
CPC *A61M 21/02* (2013.01)
- (58) **Field of Classification Search**
CPC A61M 21/00; A61M 2021/0005;
A61M 2021/0027; A61M 2021/0044; A61M
2021/0077
USPC 600/26–28
See application file for complete search history.

“Slow Wave Sleep,” <en.wikipedia.org/wiki/Slow-wave.sub.—sleep>, Last Modified Jul. 22, 2012, 4 pages.

(Continued)

Primary Examiner — John Lacyk

(74) Attorney, Agent, or Firm — HIPLegal LLP; Judith Szepesi

(57) **ABSTRACT**

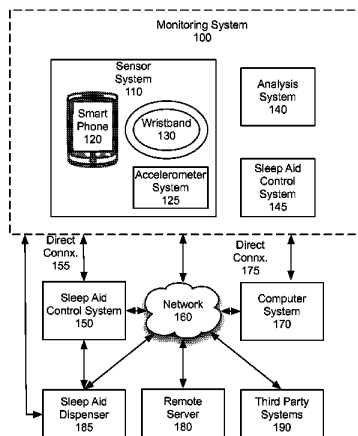
A method or apparatus to improve sleep aid efficacy is described. The method comprises monitoring the sleeping patterns of a user utilizing a non-intrusive sleep monitoring device. The method further correlates the user’s sleep statistics with use of the sleep aid. In one embodiment, the method adjusts the sleep aid based on the sleep statistics.

(56) **References Cited**

U.S. PATENT DOCUMENTS

3,798,889 A	3/1974	Chadwick
4,228,806 A	10/1980	Lidow
4,297,685 A	10/1981	Brainard, II

20 Claims, 9 Drawing Sheets



(56)

References Cited

U.S. PATENT DOCUMENTS

8,179,270 B2 5/2012 Rai et al.
 8,398,546 B2 3/2013 Pacione et al.
 8,475,339 B2 7/2013 Hwang et al.
 8,680,974 B2 3/2014 Meieroberens et al.
 8,738,925 B1 5/2014 Park et al.
 8,892,036 B1 11/2014 Causey et al.
 8,942,719 B1 1/2015 Hyde et al.
 2002/0080035 A1 6/2002 Youdenko
 2003/0095476 A1 5/2003 Mollicone et al.
 2003/0204412 A1 10/2003 Brier
 2003/0231495 A1 12/2003 Searfoss
 2004/0034289 A1* 2/2004 Teller et al. 600/300
 2004/0049132 A1 3/2004 Barron et al.
 2004/0133081 A1 7/2004 Teller et al.
 2004/0218472 A1 11/2004 Narayanaswami et al.
 2005/0012622 A1 1/2005 Sutton
 2005/0075116 A1 4/2005 Laird et al.
 2005/0143617 A1* 6/2005 Auphan A61B 5/08
 600/26
 2005/0154330 A1 7/2005 Loree
 2005/0190065 A1 9/2005 Ronnholm
 2005/0237479 A1 10/2005 Rose
 2006/0064037 A1 3/2006 Shalon et al.
 2006/0266356 A1 11/2006 Sotos et al.
 2006/0293602 A1 12/2006 Clark
 2006/0293608 A1 12/2006 Rothman et al.
 2007/0016091 A1 1/2007 Butt et al.
 2007/0016095 A1 1/2007 Low et al.
 2007/0191692 A1 8/2007 Hsu et al.
 2007/0251997 A1 11/2007 Brown et al.
 2007/0287930 A1 12/2007 Sutton
 2008/0062818 A1 3/2008 Plancon et al.
 2008/0191885 A1 8/2008 Iv et al.
 2008/0234785 A1 9/2008 Nakayama et al.
 2009/0030767 A1 1/2009 Morris et al.
 2009/0048540 A1 2/2009 Otto et al.
 2009/0069644 A1 3/2009 Hsu et al.
 2009/0082699 A1 3/2009 Bang et al.
 2009/0105785 A1 4/2009 Wei et al.
 2009/0128487 A1 5/2009 Langereis et al.
 2009/0143636 A1 6/2009 Mullen et al.
 2009/0203970 A1 8/2009 Fukushima et al.
 2009/0207028 A1 8/2009 Kubey et al.
 2009/0227888 A1 9/2009 Salmi et al.
 2010/0010330 A1 1/2010 Rankers et al.
 2010/0079291 A1 4/2010 Kroll et al.
 2010/0079294 A1 4/2010 Rai et al.
 2010/0083968 A1 4/2010 Wondka et al.
 2010/0100004 A1 4/2010 Van
 2010/0102971 A1 4/2010 Virtanen et al.
 2010/0256512 A1 10/2010 Sullivan
 2010/0331145 A1 12/2010 Lakovic et al.
 2011/0015467 A1* 1/2011 Dothie et al. 600/26
 2011/0018720 A1 1/2011 Rai et al.
 2011/0058456 A1 3/2011 De et al.
 2011/0160619 A1 6/2011 Gabara
 2011/0230790 A1 9/2011 Kozlov
 2011/0295083 A1 12/2011 Doelling et al.
 2012/0243379 A1 9/2012 Balli
 2012/0253220 A1 10/2012 Rai et al.

2013/0018284 A1 1/2013 Kahn et al.
 2013/0023214 A1 1/2013 Wang et al.
 2013/0060306 A1 3/2013 Colbauch
 2013/0286793 A1 10/2013 Umamoto
 2013/0289419 A1 10/2013 Berezhnyy et al.
 2013/0310658 A1 11/2013 Ricks et al.
 2014/0051938 A1 2/2014 Goldstein et al.
 2014/0135955 A1 5/2014 Burroughs
 2014/0200691 A1 7/2014 Lee et al.
 2014/0207292 A1 7/2014 Ramagem et al.
 2014/0219064 A1 8/2014 Filipi et al.
 2014/0232558 A1 8/2014 Park et al.
 2014/0288878 A1 9/2014 Donaldson
 2015/0148871 A1 5/2015 Maxik et al.
 2015/0190086 A1 7/2015 Chan et al.
 2015/0265903 A1 9/2015 Kolen et al.

FOREIGN PATENT DOCUMENTS

EP 1139187 B1 10/2001
 JP 8160172 6/1996
 KR 1020009085403 6/2011
 KR 1020100022217 3/2012
 WO WO9302731 2/1993
 WO 2009099292 A2 8/2009
 WO 2011141840 A1 11/2011

OTHER PUBLICATIONS

Actigraphy, From Wikipedia, the free encyclopedia, downloaded at: <http://en.wikipedia.org/wiki/Actigraphy> on Apr. 24, 2014, 4 pages.
 David F. Dinges, <en.wikipedia.org/wiki/David.Dinges>, Last Modified Sep. 12, 2012, 2 pages.
 Desai, Rajiv, The Sleep, Archive for Mar. 2011, Dr. Rajiv Desai Blog, Mar. 17, 2011, 46 pages.
 Jaines, Kira, "Music to Help You Fall Sleep," <<http://www.livestrong.com/article/119802-music-fall-sleep/>>, May 10, 2010, 2 pages.
 Jeflog Reviewers Guide, <<http://www.jetlog.com/fileadmin/Presse.sub-us/24x7ReviewersGuide.pdf>>, 2009, 5 pages.
 Lichstein, et al., Actigraphy Validation with Insomnia, SLEEP, vol. 29, No. 2, 2006, pp. 232-239.
 Patel, et al., Validation of Basis Science Advanced Sleep Analysis, Estimation of Sleep Stages and Sleep Duration, Basis Science, San Francisco, CA, Jan. 2014, 6 pages.
 Pires, P. D. C. Activity Characterization from Actimetry Sensor Data for Sleep Disorders Diagnosis, Universidade Técnica de Lisboa, Sep. 2008, 60 pages.
 Pollak, et al., Flow Accurately Does Wrist Actigraphy Identify the States of Sleep and Wakefulness?, Actigraphy and Sleep, Sleep, vol. 24, No. 8, 2001, pp. 957-965.
 Sound-Remedies.com: Sonic Solutions for Health, Learning & Productivity, <<http://www.sound-remedies.com/ammusforslee.html>>, Accessed May 23, 2013, 2 pages.
 Sunseri, Maria, et al, "The SenseWear (TM) Armband as a Sleep Detection Device," <<http://sensewear.bodymedia.com/SenseWear-Studies/SW-Whitepaper/The-SenseWear-amband-as-a-Sleep-Detection-Device>>, 2005, 9 pages.

* cited by examiner

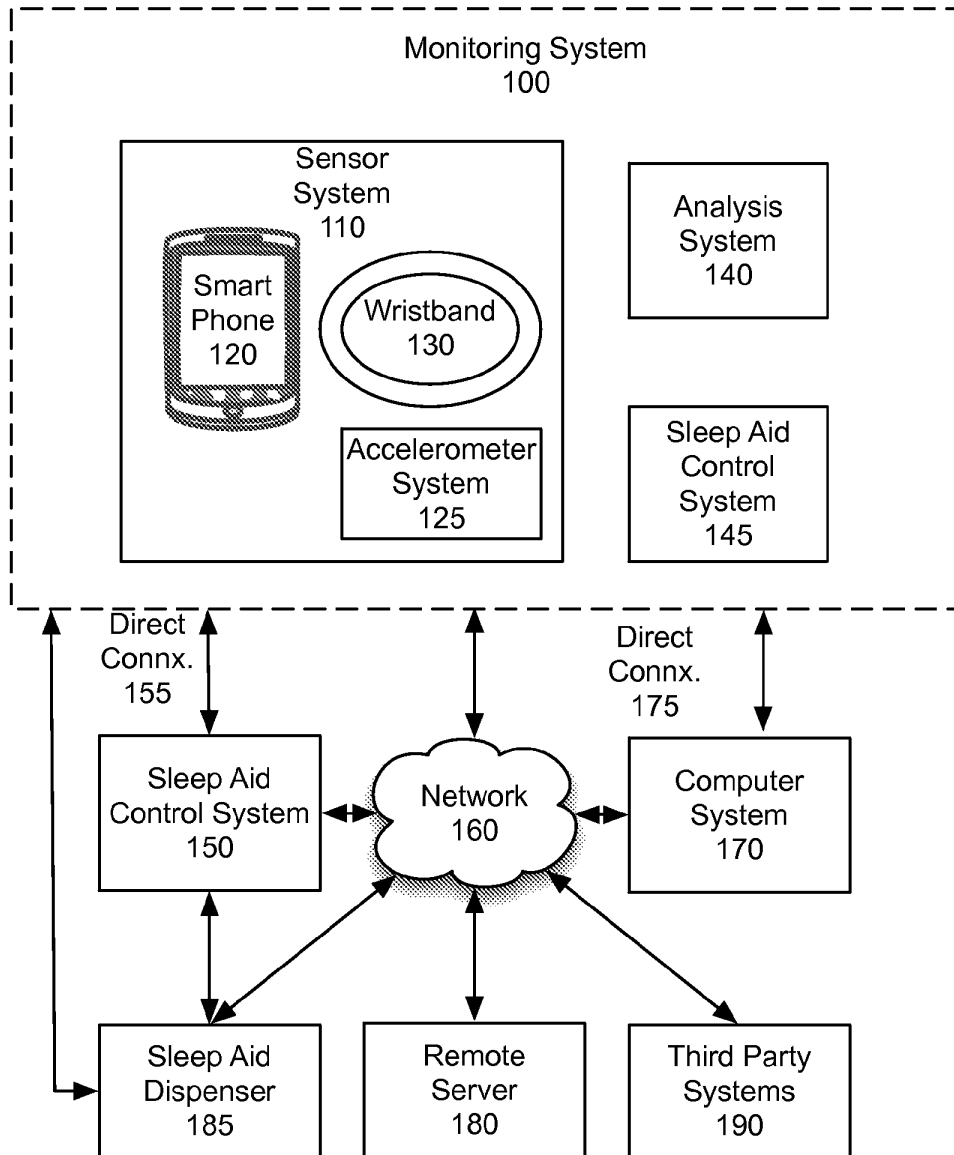


Fig. 1

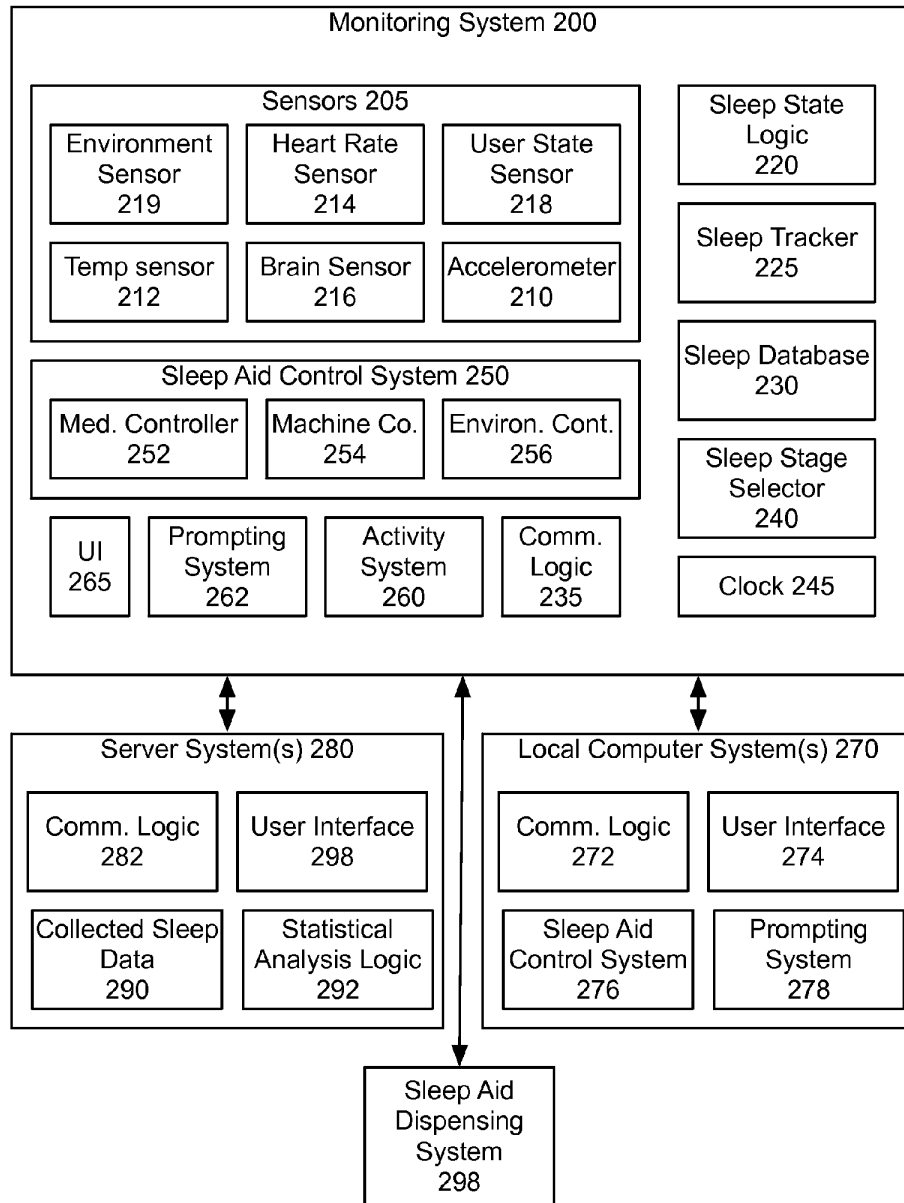


Fig. 2A

SLEEP AID	ADJUSTMENT
Prescription pill	Time to take medicine, time to go to sleep, dosage
Continuous Administered Medicine	Time to start administration, dosage through time, dosage by current sleep phase
Time release medicine	Time to take, time release timing through sleep
Sound-based sleep aids	Sounds and sound levels by sleep phase, sleep phase transition
Uppers/Downers (caffeine/alcohol)	Time to stop taking, time to start taking, quantity limitations
Eye coverings	Usage (may be recommended if waking is by light)
Airflow control	Use by sleep phase, phase transition
Environmental controls (temperature, light, bed softness)	Changes by sleep phase, phase transition.
Tactile Output	Use tactile output to wake, or transition in sleep phase
Olfactory Output	Use by sleep phase, and/or sleep transition
Other sensory output	Use as needed, sleep phase/transitions

Fig. 2B

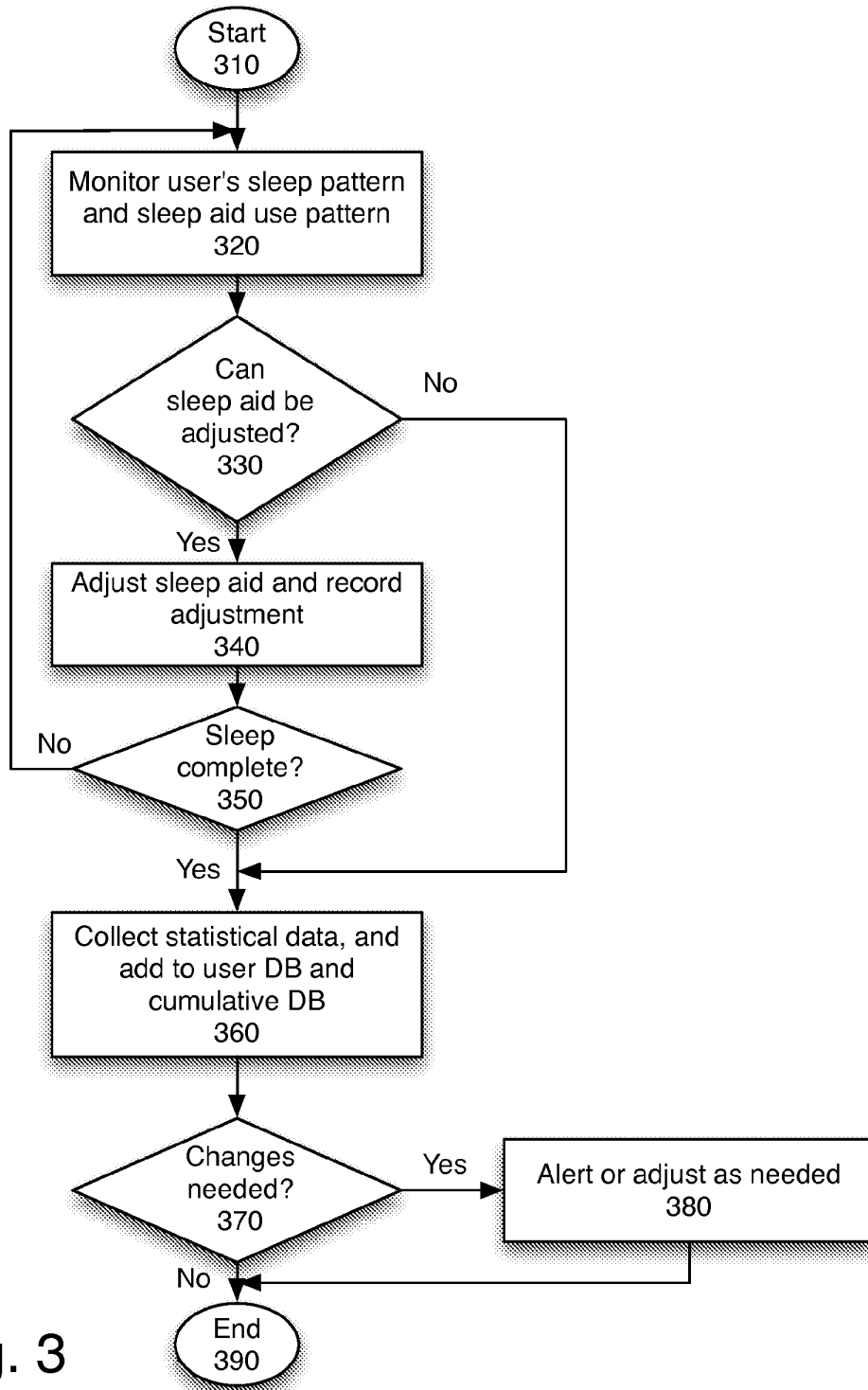


Fig. 3

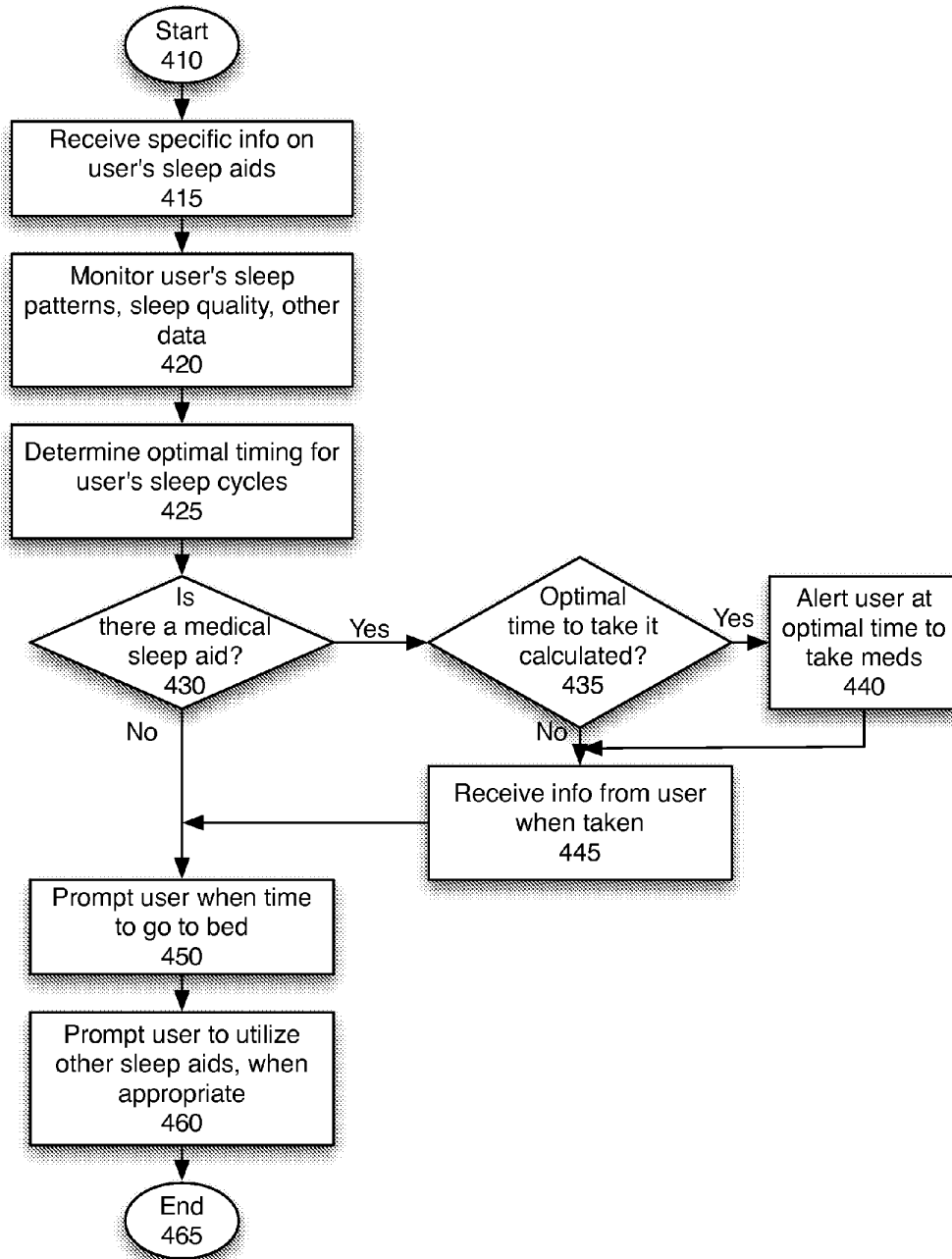


Fig. 4

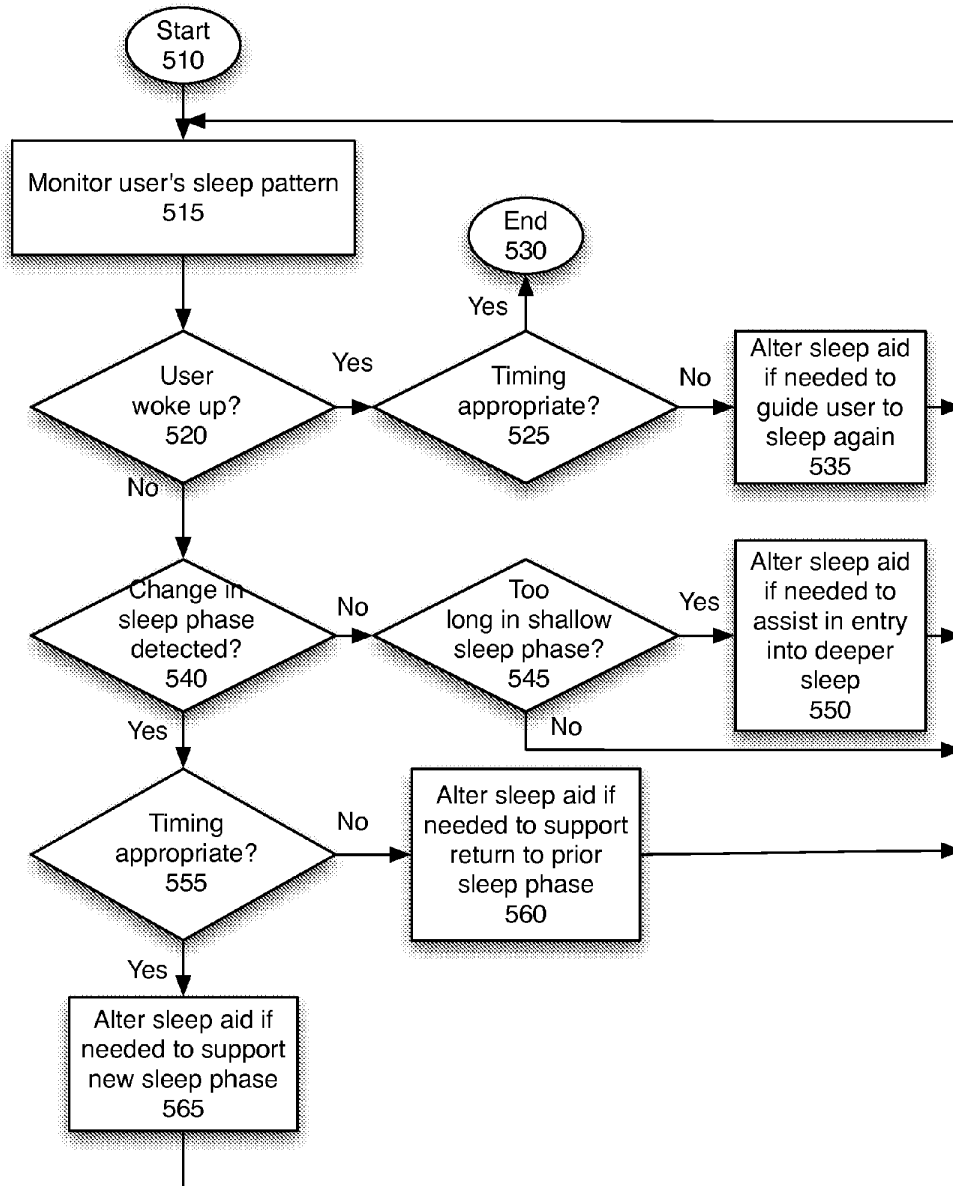


Fig. 5

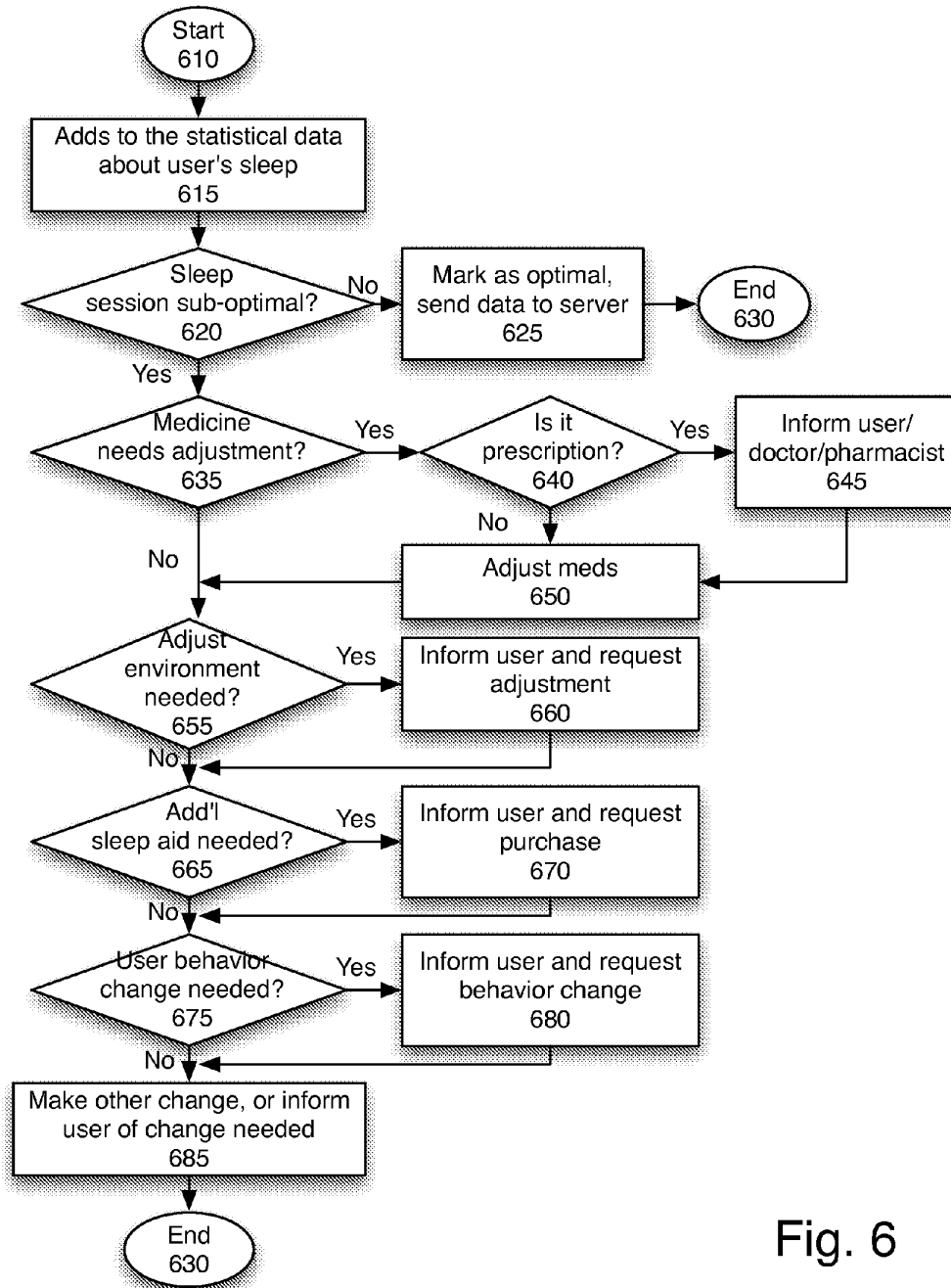


Fig. 6

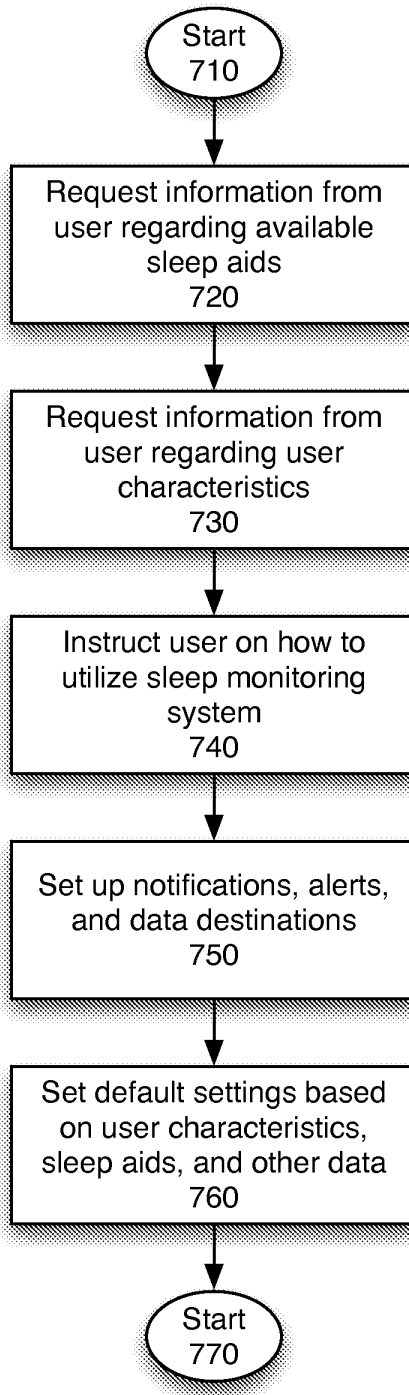


Fig. 7

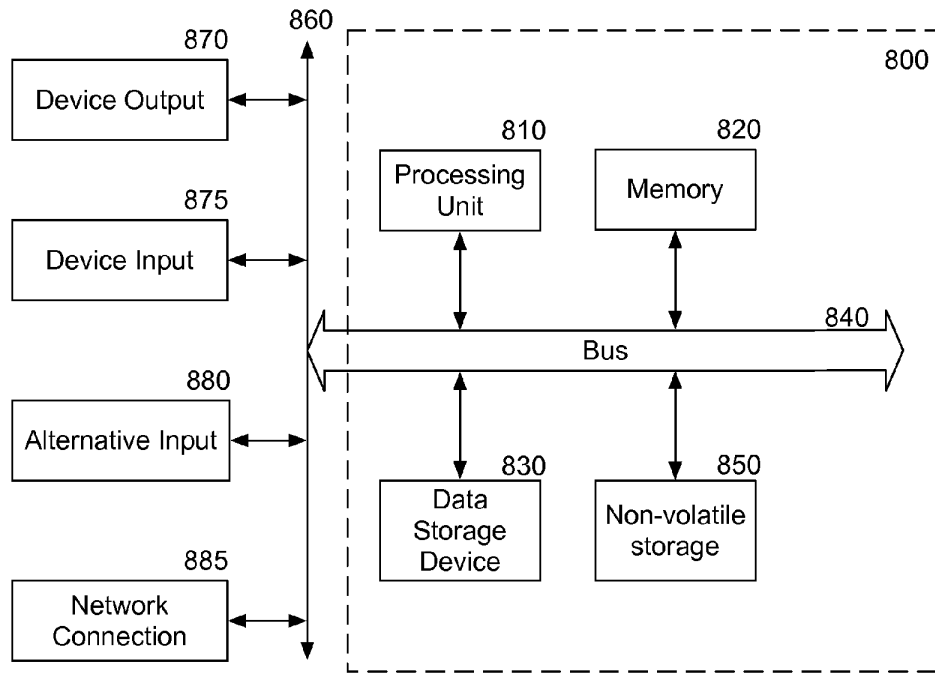


Fig. 8

SLEEP AID EFFICACY

RELATED APPLICATION

The present application claims priority to U.S. Provisional Application 61/737,717 filed on Dec. 14, 2012, and incorporates that application in its entirety by reference.

FIELD

The present invention relates to sleeping, and more particularly to improving the efficacy of sleep aids.

BACKGROUND

Sleep has been found to be vital to human health. It influences everything from concentration, to IQ, to weight. However, a significant number of people have difficulty sleeping. Such difficulty ranges from difficulty getting enough sleep, difficulty falling asleep, difficulty breathing while sleeping, waking up repeatedly, etc. Many people attempt to mediate their difficulty sleeping using various sleep aids, including drugs, breathing machines, eye masks, and other things to improve the ability to sleep.

In some instances, people go into sleep clinics, to diagnose their difficulties, and attempt to get treatment.

BRIEF DESCRIPTION OF THE FIGURES

The present invention is illustrated by way of example, and not by way of limitation, in the figures of the accompanying drawings and in which like reference numerals refer to similar elements and in which:

FIG. 1 is a network diagram illustrating one embodiment of the elements that may be part of the system and their relationships.

FIG. 2A is a block diagram of one embodiment of the system.

FIG. 2B is a table of one embodiment of a set of adjustments recommended, for various sleep aids, based on observed sleep results.

FIG. 3 is an overview flowchart of one embodiment of using the system.

FIG. 4 is a flowchart of one embodiment of communicating with a user in conjunction with initiating sleep.

FIG. 5 is a flowchart of one embodiment of adjusting a sleep aid during sleep.

FIG. 6 is a flowchart of one embodiment of alerts utilized to adjust sleep aids based on analysis of the user's sleep.

FIG. 7 is a flowchart of one embodiment of setting up the system.

FIG. 8 is a block diagram of one embodiment of a computer system that may be used with the present invention.

DETAILED DESCRIPTION

As sleep aids become more commonly used, the efficacy of a sleep aid, and its interaction with the user's particular patterns of sleep are difficult to optimize. While some users can go to a sleep clinic, that is an expensive option. Additionally, being wired up and sleeping in an unfamiliar place may alter a user's sleep patterns. Furthermore, sleep patterns change over time, seasonally, and based on the user's current circumstances. Therefore, a sleep monitoring system is described, which increases the efficacy of sleep

aids by monitoring user's sleep patterns continuously, and in one embodiment adjusting the sleep aids used based on real and continuous data.

For example, a user taking a popular sleep aid such as AMBIEN® may find that it helps in falling asleep, but only if the user is in bed within 30 minutes of taking the medicine, but no earlier than 15 minutes after taking the medicine. A sleep monitoring system that can provide an alarm, and ensure that the user gets the most out of this drug, would be useful. For another example, some users have no difficulty falling asleep, but wake frequently through the night. Another type of drug may be recommended to such users. Additional non-drug sleep aids may also be utilized. Such non-drug sleep aids may include breathing machines, music which may have a particular beat pattern, white noise machines, eye masks, temperature adjustments, mattress softness, etc. Additionally, self-medicating with various types of sleep aids, such as caffeine and alcohol, as well as decongestant medications may have effects on the user's sleep pattern.

In one embodiment, a continuously administered drug-based sleep aid may be utilized. The continuous administration may be through a pump, like an insulin pump, or through a time-release capsule, or through other means. The sleep monitoring system may be used to monitor the user's sleep patterns, and automatically adjust the drug, as needed, through the night. The sleep monitoring system may, alternatively, be used to monitor the user's sleep patterns, and provide feedback such that a time-release capsule or similar customized drug dispensing method provides the optimal levels of the sleep aid at the times needed by the user.

The sleep monitoring system's output may also, in one embodiment, be provided to the user and/or doctor or other party. This enables the user/doctor/third party to adjust the use of various sleep aids, and/or add or subtract sleep aids from the user's prescription.

In one embodiment, cumulative data from sleep monitoring systems may also be made available. In one embodiment, this data is abstracted and anonymized. This may be used to adjust sleep aids, based on observed data. In one embodiment, cumulative sleep data may also be used to prove the efficacy of new sleep aids. For example, instead of very limited clinical trials in a sleep clinic, a larger group of people may be provided with the sleep monitoring system, to receive real-life sleep data, from users' normal environments.

Additionally, the sleep monitoring system may, in one embodiment, monitor the user for additional medical conditions. For example, some sleep aids may cause health issues. In one embodiment, the sleep monitoring system includes health monitoring. In one embodiment, the sleep monitoring system integrates with a health monitoring system separately implemented. The combination of the sleep monitoring and health monitoring that can ensure that the user is not having a medical reaction to any sleep aids.

In one embodiment, the sleep monitoring system further includes or integrates with an activity monitoring system. It is well known that a user's activities and actions through the day influence his or her sleep. Therefore, having additional daily activity monitoring available may further improve the efficacy and use of sleep aids.

The following detailed description of embodiments of the invention makes reference to the accompanying drawings in which like references indicate similar elements, showing by way of illustration specific embodiments of practicing the invention. Description of these embodiments is in sufficient detail to enable those skilled in the art to practice the

invention. One skilled in the art understands that other embodiments may be utilized and that logical, mechanical, electrical, functional and other changes may be made without departing from the scope of the present invention. The following detailed description is, therefore, not to be taken in a limiting sense, and the scope of the present invention is defined only by the appended claims.

FIG. 1 is a network diagram illustrating one embodiment of the elements that may be part of the system and their relationships. The system, in one embodiment, includes a monitoring system 100. The monitoring system 100 includes sensor system 110. The sensor system 110 may be embodied in a body-worn device such as a wristband 130, a human carried device such as a smart phone 180 or accelerometer system 185. In one embodiment, the sensor system 110 may be implemented in a sleep-only device such as an armband or pillow. Sensor system 110 may be implemented in a combination of various types of sensors, which can be utilized to detect a user's sleep patterns including headsets, cameras, goggles, arm bands, or other mechanisms. In one embodiment, some of the sensors may be in one system, while others are in another system. For example, activity monitor may be implemented in a wristband 130, while sleep monitor is implemented in a pillow, etc.

The monitoring system 100 further includes analysis system 140. Analysis system utilizes the data from the sensor system 110, to determine the user's sleep phases, and the interaction of the applicable sleep aids with the user's sleep quality and quantity.

In one embodiment, the monitoring system 100 includes a sleep aid control system 145. Sleep aid control system in one embodiment provides real-time adjustment of sleep aids, ranging from medications to environmental conditions, as needed, to ensure a restful sleep for the user. In another embodiment, the sleep aid control system 150 is located outside the monitoring system 100. In one embodiment, the interface between the monitoring system 110 and the sleep aid control system 150 may be through an audio jack interface, a Bluetooth™ or other personal area network interface, or a network interface 160.

In one embodiment, sleep aid dispenser 185 may be coupled to sleep aid control system 150 and/or monitoring system 100. The coupling may be direct, or via network 160 or other means. In one embodiment, the sleep aid dispenser 185 may be incorporated within the monitoring system 100, making a unitary system. In one such embodiment, the only necessary elements of the system are a sensor system that monitors a user's sleep, an analysis system that analyzes the result of the monitoring, and a sleep aid controller/dispenser that controls a relevant sleep aid. In one embodiment, sleep aid control system 150 may interface with, or include, home automation controls.

In one embodiment, the sensing system 100 may communicate with the analysis system 140 through an audio jack interface, a Bluetooth™ or other personal area network interface, or a network interface 160, rather than being implemented in the same device. Network 160 may include one or more of a wireless network (WiFi), cellular network, a local area network, a personal area network (PAN) such as BLUETOOTH™, or another type of wireless connection.

The network 160 may provide access to a computer system 170, remote server 180, and/or Internet data on various third party systems 190. The computer system 170 may provide additional processing, and may, in one embodiment, provide the user with an additional user interface features. In one embodiment, the computer system 170 may be coupled directly to the monitoring system 100, continu-

ously or periodically, via direct connection 175. This could be implemented, in one embodiment, via a Universal Serial Bus (USB), audio input based interface, or other type of wired connection.

In one embodiment, server 180 may provide data to the monitoring system 100. In one embodiment, the monitoring system 100 may also provide information to the server 180. In one embodiment, a remote server 180 may collect data from multiple users, and use cumulative data and statistical analysis to provide predictive recommendations, set default options, and suggest alterations to settings.

In one embodiment, the monitoring system 100 may also couple to network 160 to third party systems 190. Third party systems 190 may provide environmental data to the sleep sensing system 100. Third party systems 190 may also provide sounds to the sleep sensing system 100, as will be described below. In one embodiment, third party system 190 may be a pharmacy or retailer that can provide the option to purchase additional relevant sleep aids, as recommended.

FIG. 2 is a block diagram of one embodiment of the system, including monitoring system 100 and local system 270 as well as server system 280, to which the monitoring system 100 may be coupled directly or via a network connection. In one embodiment, the server system 280 may be a local personal computer, a local server computer, or a remote server system, or a system-accessible website or other source of data.

The monitoring system 200 includes one or more sensors 205. The sensors 205 may include an accelerometer 210, a temperature sensor 212, a heart rate sensor 214. In one embodiment, temperature sensor 212 may include two sensors, one for the user's body temperature and the other for ambient temperature sensing. In one embodiment, sensors that detect brain waves 216 may also be used. In one embodiment, brainwave sensors, cameras to observe eye movement, or other sensors 218 may also monitor the user's state. Additional sensors to monitor the user's state 218, and the user's environment 219 may also be part of the sleep sensing system 100.

Monitoring system 200 further includes sleep state logic 220. Sleep state logic 220 receives data from one or more sensors 205, to determine the user's current sleep state. In one embodiment, sleep states may include awake, light sleep, and deep sleep. In one embodiment, the sleep state may be N1, N2, N3, and REM. In another embodiment, the sleep state may be light sleep, deep sleep, and REM sleep. Other divisions, or further subdivisions, may also be present. In one embodiment, sleep state can be determined by sleep state logic 220 based on the user's micro-movements, body temperature, heart rate, and/or brain function, as determined by sensors 205.

Sleep tracker 225 receives the current sleep state information from sleep state logic 220 and tracks the overall sleep state for the present sleep cycle. Sleep tracker 225 in one embodiment also adds data to a sleep database 230. The sleep database 230 tracks sleep state information longer term. In one embodiment, the information in the sleep database 230 may be used to correlate the use of the sleep aids with sleep patterns, and thus provide predictive modeling for the user. In one embodiment, the data from sleep database 225 may be passed to a computer system 280 using communication logic 235.

The data from sleep tracker 225 and sleep state logic 220 is used by the sleep stage selector 240, in one embodiment, to select the optimal current sleep stage for the user. In one embodiment, data from clock 245 and alarm logic 270 is also used by the sleep stage selector 240. In one embodi-

ment, data from environment sensor **219** may also be used by sleep stage selector **240**. In one embodiment, data from computing system(s) **280** may also be used by the sleep stage selector **240**.

The optimal next sleep state, as selected by sleep state selector **240** is passed to sleep aid control system **250**. In one embodiment, the optimal next sleep state may be the same state as the current sleep state. Sleep aid control system **250** in one embodiment can control one or more of medicine controller **252**, machine controller **254**, and environmental controller **256**. Environmental controller **256** may control the user's environment, such as temperature, sounds, light levels, etc. to either maintain the user in their current sleep state, or transition them to the appropriate optimal next sleep stage. Medicine dispenser **252** may be utilized for the same purpose. In one embodiment, additional machines, may be controlled via machine controller **254**. Such machines may include positive airflow machines, in one embodiment. In one embodiment, the medicine dispenser **252** may be a sleep pump that dispenses sleep medications in a time-release fashion, to ensure optimal sleep. In one embodiment, environmental controller **256** may include an interface to a home automation system, or other existing control system that may control the environment.

In one embodiment, the user may enter preferences through user interface **265**, or via a user interface **274** on local computing system **270**, or user interface **298** on server system **280**. Interface **298** may be accessed through a web page or other interface.

In one embodiment, monitoring system **200** includes an activity system **260** monitor the user's activity levels. The user's daily activity can influence the user's sleep quality, and thus the need for sleep aids. Therefore, in one embodiment, the system includes activity system **260**, which uses sensor data to analyze the user's daily activity levels. In another embodiment, the activity monitoring sensors may be implemented in a separate device, and its data may be provided to activity system **260**.

In one embodiment, prompting system **262** may prompt the user to input his or her sleep aid consumption. The prompting system **262** may also provide prompts to the user, to ensure that the user takes medicines at the appropriate time, and/or goes to sleep at the appropriate time, etc.

The local computer system **270** in one embodiment includes a sleep aid control system **276**, to control one or more external sleep aids, which may range from medications, to machines, and to mechanisms. In one embodiment, this element is needed when sleep aid control system **250** is replaced by sleep aid control system **276**, or other external methods of controlling sleep aids. Prompting system **278** may also be located in local computer systems **270**.

Server system **280**, in one embodiment, includes a mechanism to collect sleep data **290**, and statistical analysis logic **292**. The statistical analysis logic **292** analyzes the abstracted and anonymized data from multiple users. The collective data of these users may be used to generate recommendations, warn of problems, and in one embodiment to enable the use of the system to perform sleep studies.

In one embodiment, statistical analysis logic **292** may adjust sleep aids, or recommend changes, based on observed data. In one embodiment, the statistical analysis results may also be used to prove the efficacy of new sleep aids.

FIG. **3** is an overview flowchart of one embodiment of using the system. The process starts at block **310**.

At block **320**, the system monitors the user's sleep pattern and sleep aid use patterns and data. In one embodiment, this may be done using multiple sensing devices, as well as user-entered data.

At block **330**, the process determines whether any sleep aids can be adjusted in real-time. If so, at block **340**, the sleep aid is adjusted if needed, and any adjustment is recorded. FIG. **2B** shows a table of potential adjustments that may be made in real time. Such adjustments include increasing sleep medication, altering local temperature, altering local light levels, altering sound levels, airflow, etc. Of course the set of adjustments shown in FIG. **2B** are merely exemplary. A system may have more or fewer controls. In one embodiment, there may be no real-time controls available, and all adjustments may be based on recommending changes to the user, or an appropriate entity such as the user's doctor or health insurance provider.

The process then determines whether sleep is complete, e.g., the user has woken up, at block **350**. If the user has not yet woken, the process returns to block **320** to continue monitoring the user's sleep. If the user has woken, the process continues to block **360**. If the sleep aid cannot be adjusted, the process continues directly to block **360**.

At block **360**, statistical data is collected. In one embodiment, the statistical data is added to the user database, and cumulative database. In one embodiment, the statistical data includes user sleep data automatically recorded, relevant sleep aids and any sleep aid adjustments made. In one embodiment, additional data, such as subjective sleep quality, may also be collected from the user and added to the system.

At block **370**, the process determines whether the user's sleep aids, or sleep habits, need adjustments. If so, at block **380**, these suggested alterations are provided. In one embodiment, the suggested alterations may be provided to the user. Such adjustments may include suggestions to utilize an eye mask, suggestions to add a white noise machine, suggestions to lower the temperature, increase or decrease sleep medication dosage, etc. The process then ends, at block **390**. In this way, the user's sleep is monitored, and the sleep aids are adjusted either in real-time if possible, or via adjustments or alerts after the conclusion of sleep.

In one embodiment, this monitoring may be useful as part of a sleep study. A user's sleep patterns may be studied, and adjusted by introducing one or more sleep aids over time. This enables a user to participate in a sleep study in their home environment, and determine the optimal sleep aids to use, to have restful and appropriate sleep.

FIG. **4** is a flowchart of one embodiment of communicating with a user in conjunction with initiating sleep. The process starts at block **410**.

At block **415**, information is received on the user's sleep aids. In one embodiment, the user may be prompted with a list of sleep aids that may be available. In one embodiment, sleep aid data may be received, with the user's authorization, from a doctor or other prescriber. Sleep aids range from medicines such as AMBIEN® to environmental adjustments such as wearing an eye mask or using a white noise machine, or non-prescription drugs such as caffeine and alcohol. In one embodiment, the user is prompted to enter the sleep aids used, their dosage and frequency. In one embodiment, some or all of this data may be obtained from medical records released by the user to the system. In one embodiment, some or all of this data may be obtained by other means, such as based on photographs provided by the user.

At block **420**, the user's sleep patterns, sleep quality, and other sleep data is monitored. In one embodiment, a number

of sleep sessions are observed before any personalized recommendations are provided to the user. However, in one embodiment, default “standard” recommendations may be available based on data associated with medications, research, or collected statistical data.

At block 425, the system determines the optimal timing for the user’s sleep cycles. This is based on the user’s historical behavior, as well as known information about the amount of sleep a person fitting the user’s profile needs.

At block 430, the process determines whether there is a medical sleep aid. If so, at block 435, the process determines whether the system has sufficient data to have calculated an optimal time to take the sleep aid. Many sleep aids have a limited time during which they work best, or a limited duration. Therefore, having a user take a sleep aid too early, such that during the most effective period the user is unlikely to be in bed, is negative. Recommending the optimal time to take the sleep aid can be important. If such data is available, at block 440, the user is alerted to take the medication at the optimal time.

The system then monitors for the user taking the sleep aid, whether or not the user was alerted, at block 445. In one embodiment, the user manually enters the time when the sleeping aid was taken.

At block 450, the user is prompted when it is time to go to bed. This occurs, in one embodiment, whether or not there is a medical sleep aid.

At block 460, the user is prompted to set other sleep aids, when available. As noted, the system is aware of the available sleep aids. In one embodiment, the prompting may include reminders such as “close the blinds and turn on the white noise machine.” The process then ends, at block 465, as the system switches to monitoring the user’s sleep patterns.

FIG. 5 is a flowchart of one embodiment of adjusting a sleep aid during sleep. The process starts at block 510. This process applies only when there are one or more sleep aids that are adjustable in real time. Such sleep aids may include room temperature, sounds, light levels, bed softness, and other environmental factors. In one embodiment, such factors may also include adjusting the dispensing of sleep medicines. Sleep medicines such as AMBIEN® and others may be provided in a liquid form, that may be dispensed through a mechanism such as a pump. Drug pumps release controlled doses of medication, such as pain medication. Such drug pumps, in one embodiment, can be utilized to release controlled doses of sleep medication. Because the dosage is precisely correlated with the user’s sleep state and thus need for medication, the overall drug consumption is decreased. This also eliminates many of the side effects of such medications, which are the result of a mismatch between sleep state and drug levels.

At block 515, the user’s sleep pattern is monitored. At block 520, the process determines whether the user woke up. In one embodiment, waking up may include entering a very light sleep phase, in which the user is in the “half-asleep” state. If so, at block 525, the process determines whether the timing is appropriate for waking. If so, the process ends at block 530. As noted above, the user’s statistical data would then be analyzed, and further adjustments made. But the real-time adjustment terminates when the user wakes, in one embodiment.

If the timing is found not to be appropriate, at block 535, the sleep aid is altered to guide user to sleep again. In one embodiment, if the sleep aid is medicinal in form, some additional medicine may be added to the user’s system, to ensure additional sleep. For another example, it may be that

the user is waking in part because the room is too light. If the system has control over blinds, the blinds may be lowered. In one embodiment, if the user is waking as a result of a nightmare—as determined by the pattern of movements—the system may guide the user to full wakefulness, and allow them to return to more restful sleep thereafter. The process then returns to block 515, to continue monitoring the user’s sleep pattern.

If the user is not waking up, at block 520, the process determines at block 540 whether a change in sleep phase is detected. If no change in sleep phase is detected, the process determines whether the user is remaining in a too shallow sleep phase for too long. In one general, the most restful and necessary sleep is the deep sleep. Therefore, excessive light sleep is not optimal. If the user is not remaining in light sleep for too long, the process continues to block 515 to continue monitoring.

If the user is found to be too long in shallow sleep, at block 550, the sleep aid is altered to assist in entry into deeper sleep. This may include adjusting medication, adjusting airflow, adjusting temperature, adjusting the soundscape, etc. The process then returns to block 515.

If a change in sleep phase is detected, the process determines whether the change in sleep phase is appropriate. As noted, extended deep sleep is important. Furthermore, a certain amount of lighter sleep is needed because that is time when the user dreams, which is necessary for mental health. If the timing is appropriate at block 565, the process ensures that the current settings for the sleep aid are appropriate to support the transition to the new sleep phase. If needed, the sleep aids may be adjusted at that point. The process then returns to block 515, to continue monitoring.

If the timing is not appropriate, at block 560, the sleep aid may be altered to support return to the prior sleep phase. Again, this may include altering medication, airflow, temperature, bed softness, and other environmental factors.

The exemplary methods shown in FIG. 5 are meant to be exemplary. In one embodiment, the system continuously monitors the current sleep phase, and not just transitions and timing. In one embodiment, other factors such as sleep quality are monitored. For example, the changes in sleep aid may be made in response to the user having a bad dream, not breathing well, waking excessively, etc.

FIG. 6 is a flowchart of one embodiment of alerts utilized to adjust sleep aids based on analysis of the user’s sleep. The process starts at block 610.

At block 615, the process adds to the statistical data about the user’s sleep patterns. In one embodiment, this may be done throughout a sleep session, or at the end of a sleep session.

At block 620, the process determines whether the sleep session was sub-optimal. Sub-optimal sleep sessions are those that are not sufficiently restful, too long for the level of refreshment achieved, or otherwise could be improved. If the sleep session was optimal, the process at block 625 sends the statistical data to the server/third party, as indicated by the user’s settings. In one embodiment, the settings used for this sleep session are marked as having achieved optimal results. The process then ends at block 630. In one embodiment, the statistical data is also sent to third parties, such as the maker of one or more of the sleep aids. In one embodiment, the statistical data, anonymized, from multiple users may be utilized by the makers of the sleep aids to evaluate efficacy. In one embodiment, the user may opt into sharing this information with the maker of the sleep aid. In one embodiment, the user may be rewarded, financially or otherwise, for sharing his or her information.

If the sleeps session was suboptimal, the process at block 635 determines whether the medicine needs adjustment. Medicine may need adjustment due to timing (e.g. a time release medicine needs to be adjusted to provide a higher level of the medication in the early morning), dosage (too low or too high for optimum results), type (some people react negatively to particular medicines, and would do better with a similar but non-identical medication), or other adjustments. If the medicine needs adjustment, the process continues to block 640.

At block 640, the process determines whether the medicine is prescription. If so, in one embodiment the system at block 645 notifies the user, doctor, and/or pharmacist. In one embodiment, a user's prescription may be sufficiently flexible to allow a user to simply alter the medicine as needed. However, in most cases, changes to prescription medications are made with the cooperation of the user's doctor. At block 650, the medication is adjusted. If the medicine is not prescription, at block 650, the medication is adjusted, in one embodiment. In one embodiment, the medicine, in this context, may include non-drug medicines such as caffeine and alcohol intake. In one embodiment, adjusting the medications may include indicating to the user that he or she needs to stop drinking caffeine after 6 p.m., or drink a glass of wine, etc. In another embodiment, if the non-prescription medicine may be covered by insurance, the system may notify the user's doctor or insurer, or may indicate to the user how to do so.

The process then continues to block 655. If the medicine did not need adjustment, the process continues directly to block 655.

At block 655, the process determines whether an environmental adjustment is needed. Environmental adjustments may include changes in temperature, bedding, light levels, sounds, and other external conditions. When the system cannot automatically adjust these sleep aids, the user is requested to make the change. If such adjustments are needed, at block 660 the user is informed and requested to make the adjustment. The process then continues to block 665.

At block 665, the process determines additional sleep aids needed. Additional sleep aids may range from an eye mask to add darkness, to a positive airflow providing machine, or a white noise machine. When the system determines that a particular condition causes sleep disturbance, and the system cannot handle that disturbance given the existing conditions, a recommendation for additional sleep aids may be made. At block 670, the user is informed and purchase is requested. In one embodiment, the request may include a link to where the appropriate sleep aid can be purchased, enabling the user to complete the transaction quickly, and easily. In one embodiment, if such sleep aids are covered by insurance, the user is provided an easy process to apply for insurance coverage. In one embodiment, instead of notifying a user, a relevant entity—such as the user's guardian, doctor, or insurance company—may be notified. The process then continues to block 675.

At block 675, the process determines whether a user behavior change is needed. User behavior changes may include a change in activity timing, activity levels, food choices, or food levels, or additional behavioral changes. In one embodiment, the techniques in co-pending application Ser. No. 13/781,742 may be used to determine the needed changes. If such changes are needed, at block 680 the user is informed and requested to make the changes. The process then continues to block 685. At block 685, the user is

prompted to make any other changes that need to be made. The process then ends at block 630.

FIG. 7 is a flowchart of one embodiment of setting up the system. The process starts at block 710. At block 720, the system requests information from the user regarding the available sleep aids. This may include medications, self-medicating non-prescription medicines, environmental controls, and other factors. In one embodiment, this may include a request to allow the system access to the relevant user medical records, to determine for example prescription sleep aid dosage.

At block 730, the process requests information from the user regarding the user's characteristics. The user's characteristics include the user's age, gender, health, and other relevant factors that may influence sleep requirements, and sleep quality. In one embodiment, this may include a request to allow the system access to the relevant user medical records.

At block 740, the system instructs the user on how to utilize the sleep monitoring system. This may include instructing the user to set up additional sleep aids, or now to set up controls that enable the monitoring system to interact with additional sleep aids.

At block 750, the system helps the user set up notifications, alerts, and data destinations. In one embodiment, notifications may be sent to the user, the user's doctor, a central database, or other locations. In one embodiment, the user may control how much or how little of the user's personal data is shared. In one embodiment, if the user is utilizing the system as part of a medical test or in another setting, these types of data sharing settings may be pre-set.

At block 760, the system sets the default settings for sleep aids as well as sleep needs, based on the above information. In one embodiment, each time user data is obtained, these default characteristics may be tweaked. For example, a default may be that most people sleep best if they are in bed by 11:30 p.m. and awake by 7:30 a.m. However, observed data may indicate that a particular user considers sleep most restful, and sleeps best when they go to bed at 2 a.m. and wake at 9 a.m. In that case, the system settings may be adjusted. In one embodiment, the default settings may be made available to the user, and adjusted by the user. The set-up then ends.

FIG. 8 is a block diagram of one embodiment of a computer system that may be used with the present invention. FIG. 8 is a block diagram of a particular machine that may be used with the present invention. It will be apparent to those of ordinary skill in the art, however that other alternative systems of various system architectures may also be used.

The data processing system illustrated in FIG. 8 includes a bus or other internal communication means 840 for communicating information, and a processing unit 810 coupled to the bus 840 for processing information. The processing unit 810 may be a central processing unit (CPU), a digital signal processor (DSP), or another type of processing unit 810.

The system further includes, in one embodiment, a random access memory (RAM) or other volatile storage device 820 (referred to as memory), coupled to bus 840 for storing information and instructions to be executed by processor 810. Main memory 820 may also be used for storing temporary variables or other intermediate information during execution of instructions by processing unit 810.

The system also comprises in one embodiment a read only memory (ROM) 850 and/or static storage device 850 coupled to bus 840 for storing static information and instruc-

tions for processor **810**. In one embodiment the system also includes a data storage device **830** such as a magnetic disk or optical disk and its corresponding disk drive, or Flash memory or other storage which is capable of storing data when no power is supplied to the system. Data storage device **830** in one embodiment is coupled to bus **840** for storing information and instructions.

The system may further be coupled to an output device **870**, such as a cathode ray tube (CRT) or a liquid crystal display (LCD) coupled to bus **840** through bus **860** for outputting information. The output device **870** may be a visual output device, an audio output device, and/or tactile output device (e.g. vibrations, etc.).

An input device **875** may be coupled to the bus **860**. The input device **875** may be an alphanumeric input device, such as a keyboard including alphanumeric and other keys, for enabling a user to communicate information and command selections to processing unit **810**. An additional user input device **880** may further be included. One such user input device **880** is cursor control device **880**, such as a mouse, a trackball, stylus, cursor direction keys, or touch screen, may be coupled to bus **840** through bus **860** for communicating direction information and command selections to processing unit **810**, and for controlling movement on display device **870**.

Another device, which may optionally be coupled to computer system **800**, is a network device **885** for accessing other nodes of a distributed system via a network. The communication device **885** may include any of a number of commercially available networking peripheral devices such as those used for coupling to an Ethernet, token ring, Internet, or wide area network, personal area network, cellular network, wireless network or other method of accessing other devices. The communication device **885** may further be a null-modem connection, or any other mechanism that provides connectivity between the computer system **800** and the outside world.

Note that any or all of the components of this system illustrated in FIG. **8** and associated hardware may be used in various embodiments of the present invention.

It will be appreciated by those of ordinary skill in the art that the particular machine, which embodies the present invention may be configured in various ways according to the particular implementation. The control logic or software implementing the present invention can be stored in main memory **820**, mass storage device **830**, or other storage medium locally or remotely accessible to processor **810**.

It will be apparent to those of ordinary skill in the art that the system, method, and process described herein can be implemented as software stored in main memory **820** or read only memory **850** and executed by processor **810**. This control logic or software may also be resident on an article of manufacture comprising a computer readable medium having computer readable program code embodied therein and being readable by the mass storage device **830** and for causing the processor **810** to operate in accordance with the methods and teachings herein.

The present invention may also be embodied in a handheld or portable device containing a subset of the computer hardware components described above. For example, the handheld device may be configured to contain only the bus **840**, the processor **810**, and memory **820** and/or **850**.

The handheld device may be configured to include a set of buttons or input signaling components with which a user may select from a set of available options. These could be considered input device #1 **875** or input device #2 **880**. The handheld device may also be configured to include an output

device **870** such as a liquid crystal display (LCD) or display element matrix for displaying information to a user of the handheld device. Conventional methods may be used to implement such a handheld device. The implementation of the present invention for such a device would be apparent to one of ordinary skill in the art given the disclosure of the present invention as provided herein.

The present invention may also be embodied in a special purpose appliance including a subset of the computer hardware components described above. For example, the appliance may include a processing unit **810**, a data storage device **830**, a bus **840**, and memory **820**, and no input/output mechanisms, or only rudimentary communications mechanisms, such as a small touch-screen that permits the user to communicate in a basic manner with the device. In general, the more special-purpose the device is, the fewer of the elements need be present for the device to function. In some devices, communications with the user may be through a touch-based screen, or similar mechanism. In one embodiment, the device may not provide any direct input/output signals, but may be configured and accessed through a website or other network-based connection through network connection **885**.

It will be appreciated by those of ordinary skill in the art that any configuration of the particular machine implemented as the computer system may be used according to the particular implementation. The control logic or software implementing the present invention can be stored on any machine-readable medium locally or remotely accessible to processor **810**. A machine-readable medium includes any mechanism for storing information in a form readable by a machine (e.g. a computer). For example, a machine readable medium includes read-only memory (ROM), random access memory (RAM), magnetic disk storage media, optical storage media, flash memory devices, or other storage media which may be used for temporary or permanent data storage. In one embodiment, the control logic may be implemented as transmittable data, such as electrical, optical, acoustical or other forms of propagated signals (e.g. carrier waves, infrared signals, digital signals, etc.).

In the foregoing specification, the invention has been described with reference to specific exemplary embodiments thereof. It will, however, be evident that various modifications and changes may be made thereto without departing from the broader spirit and scope of the invention as set forth in the appended claims. The specification and drawings are, accordingly, to be regarded in an illustrative rather than a restrictive sense.

We claim:

1. A method to improve sleep aid user experience comprising for a user utilizing a sleep aid:
 - monitoring the user's activity throughout a day;
 - monitoring sleeping patterns of a user, utilizing a non-intrusive sleep monitoring device to generate sleep statistics;
 - correlating the sleep statistics to use of the sleep aid, wherein the sleep aid comprises one or more of: medicine, sound generation, airflow control, olfactory output, and wearable devices; and
 - correlating the sleep aid efficacy and the sleep statistics with an activity level of the user throughout the day;
 - adjusting a recommendation for the sleep aid based on the sleep statistics, the adjustment to improve the sleep aid efficacy.

13

- 2. The method of claim 1, further comprising:
when the sleep aid is adjustable in real-time, automatically adjusting the sleep aid, based on the correlating, to improve the sleep of the user.
- 3. The method of claim 1, further comprising:
collecting statistical data regarding the sleep; and
using the statistical data to generate one or more proposed changes.
- 4. The method of claim 3, wherein the proposed changes comprise one or more of automatically adjusting a condition, alerting the user to change a condition, providing information to the user, and providing information to an authorized third party.
- 5. The method of claim 1, wherein the sleep aid comprises a continuously dispensed medicine, and the system automatically adjusts the medicine level being dispensed to optimize a current sleep.
- 6. The method of claim 1, further comprising, when the sleep aid is a medicine taken prior to sleep:
calculating an optimal time to take the sleep aid; and
alerting the user to take the sleep aid at the optimal time, to improve the efficacy of the sleep aid, the sleep statistics used to adjust the medicine in subsequent sleep cycles based on the correlating.
- 7. The method of claim 1, further comprising: collecting statistical data from a plurality of users; and
evaluating efficacy of the sleep aid, based on the statistical data.
- 8. The method of claim 1, further comprising:
conducting a sleep study by introducing one or more sleep aids to a user, and observing changes in a sleep pattern of the user, and adjusting the recommendation based on a result of the sleep study.
- 9. A monitoring system comprising:
a non-intrusive sensor to monitor sleeping patterns of a user;
an activity system to monitor the user's activity throughout a day; and
a sleep tracker to correlate sleep statistics derived from the sleeping patterns to use of a sleep aid selected from among: medicine, sound generation, airflow control, olfactory output, and wearable devices;
the sleep tracker further to correlate the sleep aid efficacy and sleep statistics with a timing and an activity level of the user throughout the day; and
a sleep aid control system to adjust a recommendation for the sleep aid based on the sleep statistics.
- 10. The monitoring system of claim 9, further comprising:
when the sleep aid is adjustable in real-time, the sleep aid control system to automatically adjust the sleep aid, based on the correlating, to improve the sleep of the user.
- 11. The monitoring system of claim 9, wherein the adjusted recommendation comprises one or more of automatically adjusting a condition, alerting the user to change a condition, providing information to the user, and providing information to an authorized third party.
- 12. The monitoring system of claim 9, wherein the medicine is a continuously dispensed medicine, and the system automatically adjusts a medicine level being dispensed to optimize a current sleep.

14

- 13. The monitoring system of claim 9, further comprising, when the sleep aid is a medicine taken prior to sleep:
the sleep tracker to calculate an optimal time to take the sleep aid; and
a prompting system to alert the user to take the sleep aid at the optimal time, the sleep statistics used to adjust the medicine in subsequent sleep cycles based on the correlating.
- 14. A sleep aid efficacy evaluation system comprising:
a monitoring system comprising:
a non-intrusive sensor to monitor sleeping patterns of a user;
a sleep tracker to correlate the user's sleep statistics to use of a sleep aid;
a sleep aid control system to adjust a recommendation for the sleep aid based on the sleep statistics, the sleep aid selected from among: medicine, sound generation, airflow control, olfactory output, and wearable devices; and
the sleep tracker to conduct a sleep study by introducing one or more sleep aids to a user, and observing changes in a sleep pattern of the user.
- 15. The system of claim 14, further comprising:
when the sleep aid is adjustable in real-time, the sleep aid control system to automatically adjust the sleep aid, based on the correlating, to improve the sleep of the user.
- 16. The system of claim 15, further comprising:
a sleep aid dispensing system to control the dispensing of a continuously dispensed sleep aid.
- 17. The system of claim 14, further comprising:
a server system to collect statistical data from a plurality of users; and
a statistical analysis logic to evaluate efficacy of the sleep aid, based on the statistical data.
- 18. The system of claim 14, further comprising:
an activity system to monitor the user's activity throughout a day; and
the sleep tracker further to correlate the sleep aid efficacy and sleep statistics with a timing and an activity level of the user throughout the day.
- 19. A method to improve sleep aid user experience comprising for a user utilizing a sleep aid:
monitoring sleeping patterns of a user, utilizing a non-intrusive sleep monitoring device to generate sleep statistics;
correlating the sleep statistics to use of the sleep aid, wherein the sleep aid comprises medicine; and
adjusting a recommendation for the sleep aid based on the sleep statistics, the adjustment to improve the sleep aid efficacy, wherein when the medicine is continuously dispensed medicine the adjusting comprises automatically adjusting the medicine level to optimize a current sleep, and when the medicine is taken prior to sleep, the adjusting comprises adjusting the medicine in subsequent sleep cycles based on the correlating.
- 20. The method of claim 19, further comprising when the medicine is taken prior to sleep:
calculating an optimal time to take the medicine; and
the adjusting the medicine comprises one or more of:
adjusting the optimal time and adjusting a dosage.

* * * * *