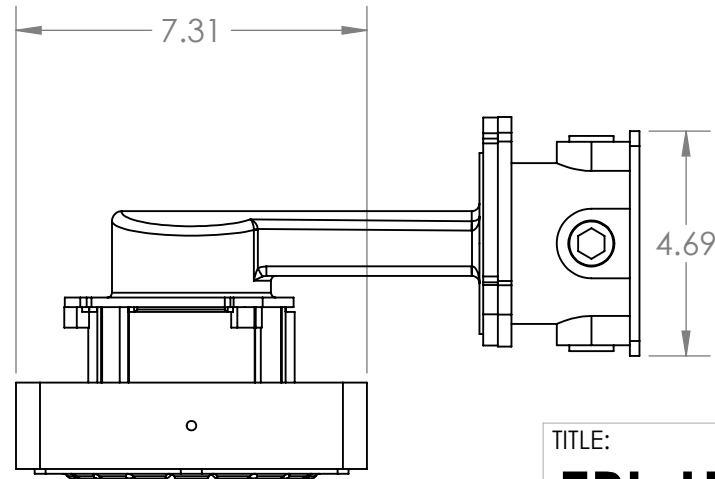
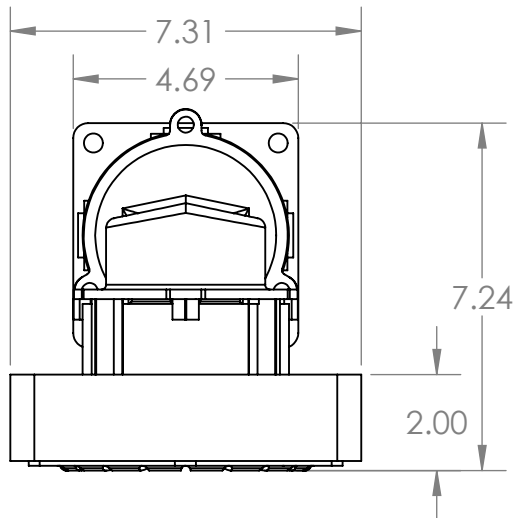
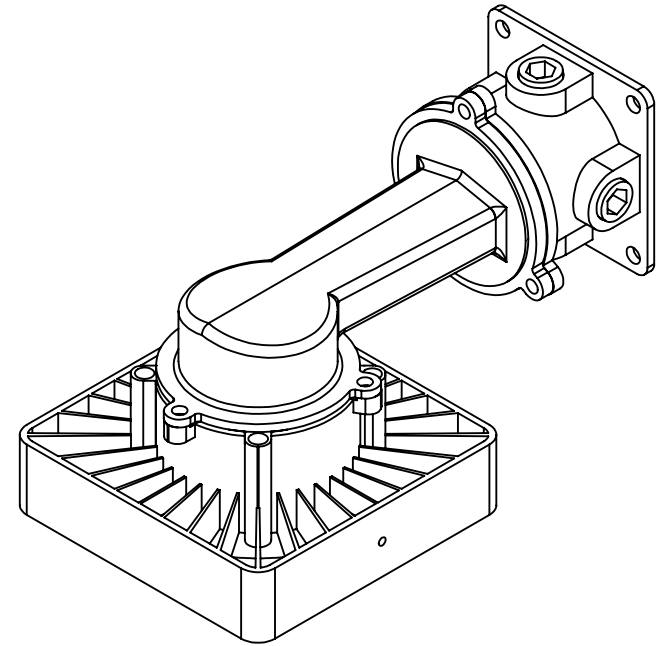
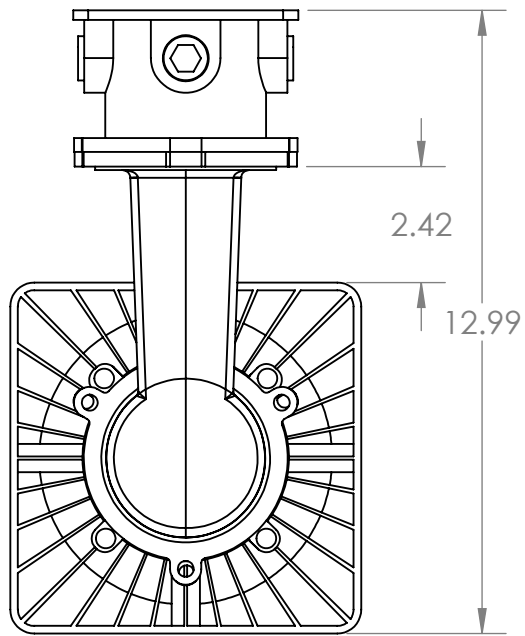


**PROPRIETARY AND CONFIDENTIAL**  
 THE INFORMATION CONTAINED IN THIS DRAWING IS THE SOLE PROPERTY OF LARSON ELECTRONICS LLC. ANY REPRODUCTION IN PART OR AS A WHOLE WITHOUT THE WRITTEN PERMISSION OF LARSON ELECTRONICS LLC IS PROHIBITED.

TITLE:  
**EPL-HB-50LED-RT-WLM**

SIZE <b>A</b>	DWG. NO.	REV
SCALE: NTS	SHEET 1 OF 3	

DIMENSIONS ARE IN INCHES		
DO NOT SCALE DRAWING	DATE	09/21/2018



TITLE:  
**EPL-HB-50LED-RT-  
WLM**

SIZE <b>A</b>	DWG. NO.	REV
------------------	----------	-----

**PROPRIETARY AND CONFIDENTIAL**  
THE INFORMATION CONTAINED IN THIS DRAWING IS THE SOLE PROPERTY OF LARSON ELECTRONICS LLC. ANY REPRODUCTION IN PART OR AS A WHOLE WITHOUT THE WRITTEN PERMISSION OF LARSON ELECTRONICS LLC IS PROHIBITED.

DIMENSIONS ARE IN INCHES				
DO NOT SCALE DRAWING	DATE	09/21/2018	SCALE: NTS	SHEET 2 OF 3

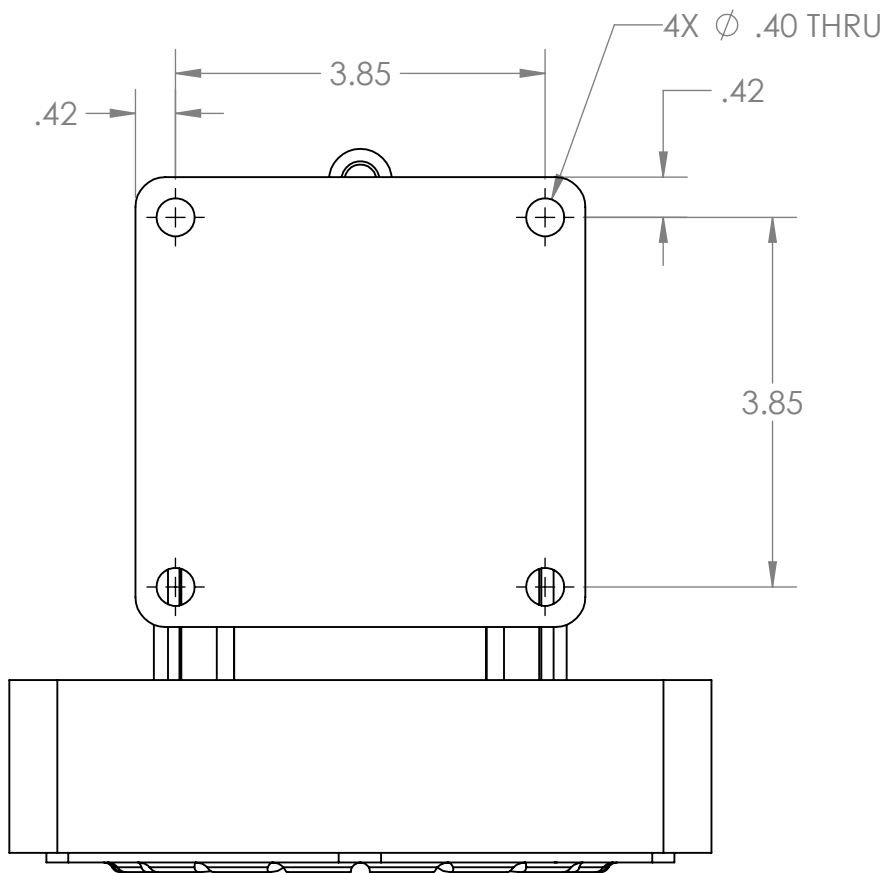
5

4

3

2

1



TITLE:  
**EPL-HB-50LED-RT-  
WLM**

SIZE <b>A</b>	DWG. NO.	REV
------------------	----------	-----

**PROPRIETARY AND CONFIDENTIAL**  
THE INFORMATION CONTAINED IN THIS DRAWING IS THE SOLE PROPERTY OF LARSON ELECTRONICS LLC. ANY REPRODUCTION IN PART OR AS A WHOLE WITHOUT THE WRITTEN PERMISSION OF LARSON ELECTRONICS LLC IS PROHIBITED.

DIMENSIONS ARE IN INCHES			
DO NOT SCALE DRAWING	DATE	09/21/2018	
SCALE: NTS			SHEET 3 OF 3