



emium™

emium lighting, see differently

EXTERIOR LIGHTING



G9 LED Stadium Light

10 Year Full Product Warranty

IP66 rated for harsh and wet environments.

The Emium Stadium Light delivers the ultimate visual clarity, control, and dependability required to provide the best player and fan experience, both in-person and via HDTV broadcasting.

The features and performance of the Stadium Light provide excellent lighting uniformity while eliminating shadows to enhance the visibility of moving objects, making it easier for fans and the camera to follow the action.

Advanced Free-form optics and structure design provides uniform light distribution, minimizes glare, and maximizes light transmittance.

Maintenance free operation reduces cost of ownership

Rated Life: 120,000 hours

IP66 rating provides strong protection against the elements (water, dust, insects, etc.).

FEATURES

High performance aluminum heat sink and generous ventilation design provide excellent thermal management for superior system stability and longevity.

ADC12 Aluminum Die-cast Housing

SMD5050 LEDs

Top quality Inventronics Driver

Wattages: 300, 400, 500, 600, 700, 800, 1,000

150 lumens per watt @30° beam angle

1,000W flood provides up to 150,000 lumens

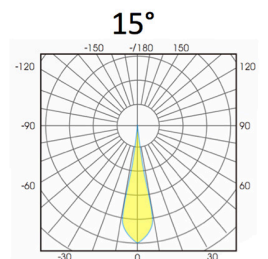
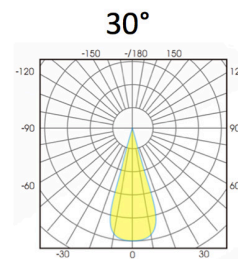
IK10 Anti-UV PC Lens

Easy mounting and generous angle adjustability

10 year full product warranty



(Aiming light and anti-glare hood sold separately.)



INVENTRONICS



for more information email info@emium.com or call 224.735.3435 | www.emium.com

EXTERIOR LIGHTING

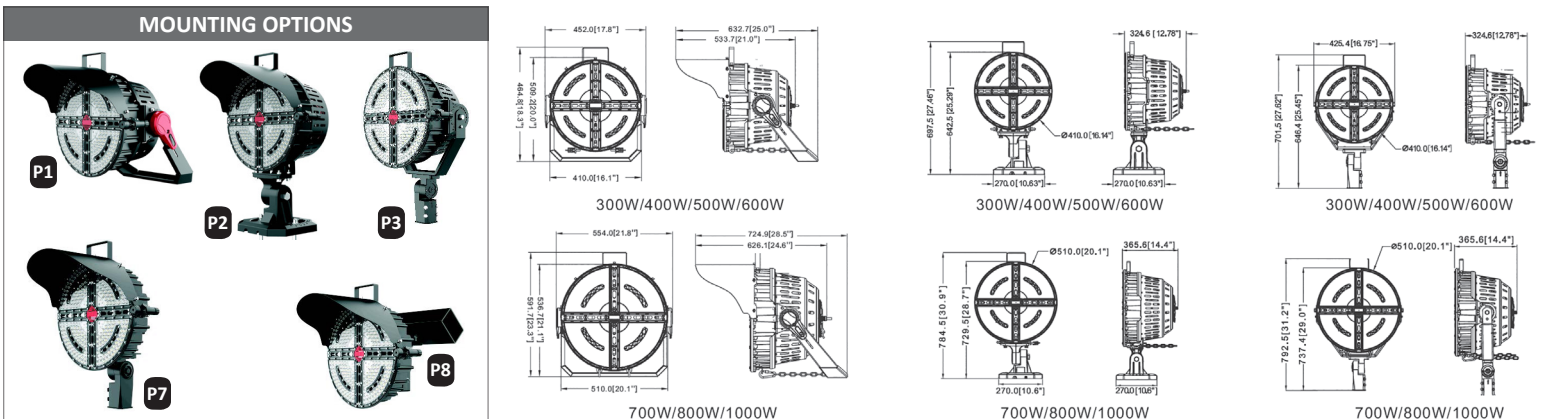
Ordering Guide: G9 LED Stadium Light: Example - EL-FL-G9-1000WP1-50K

Fixture Type	Physical Design	Wattage	Mount Type	CCT (X,X00) Kelvin
EL-FL-	G9			
EL-FL Emium Lighting Flood Light	G9	300W 400W 500W 600W 700W 800W 1000W	P1 U-shaped Bracket P2 Knuckle Surface Mount P3 Slip Fitter with U-Bracket P7 Slip Fitter with Knuckle (Remote Driver Installation) P8 Rotatable Bracket (Remote Driver Installation)	50K Standard 30K, 40K, 57K Available

SPECIFICATIONS


Model	EL-FL-G9-300W	EL-FL-G9-400W	EL-FL-G9-500W	EL-FL-G9-600W	EL-FL-G9-700W	EL-FL-G9-800W	EL-FL-G9-1000W
Power	300W	400W	500W	600W	700W	800W	1000W
Lumen Output @30°	45,000 Lm	60,000 Lm	75,000 Lm	90,000 Lm	105,000 Lm	120,000 Lm	150,000 Lm
Weight	17.5 kg (38.6 lbs)				27.0 kg (59.5 lbs)		
EPA Value	1.73 ft. ²				2.57 ft. ²		
Input Voltage	100 - 277VAC 50/60Hz						
Input Protection	10KV Current Surge (Standard) *20KV option available						
Controls	0-10V Dimming Zigbee/DALI						
Luminous Efficacy	150 Lm/W @ 30° beam angle						
Beam Angle	15°, 30° (Std.)						
Light Source/Driver	SMD5050/Inventronics						
Operating Temp	-40°C ~ +50°C -40°F to +123°F						
Color Temp	5000K Standard, Special order CCT available						
CRI	> 70 Ra						
Physical	ADC12 Aluminum Die-cast Housing, IK10 Anti-UV PC Lens						
Mounting	P1 U-Shaped Bracket (Std.), P2 Knuckle Surface Mount, P3 Slip Fitter w/U-Bracket, P7 Slip Fitter w/Knuckle, P8 Rotatable Bracket						
IP Rating	IP66						
Rated Life	120,000 hrs.						
Certifications	ETL/ENEC/CE/DLC/SAA						

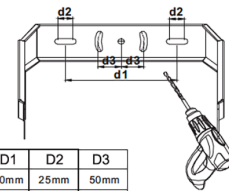
MOUNTING OPTIONS



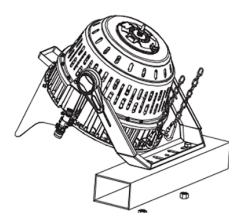
MOUNTING INSTALLATIONS

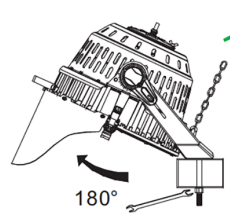
P1 U-shaped Bracket

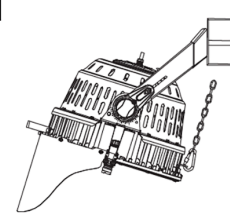
01  M16

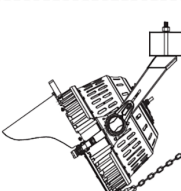
02 

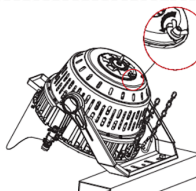
Wattage	D1	D2	D3
600W	220mm	25mm	50mm
1000W	290mm	40mm	60mm


03 

04  180°

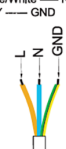
05 

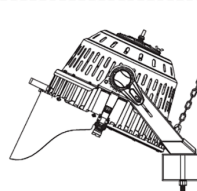
06 

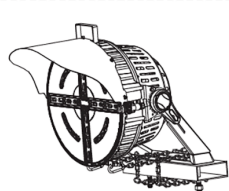
07 

08 


- Brown/Black — L
- Blue/White — N
- GY — GND

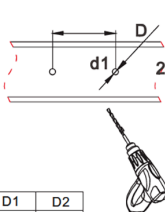


09 

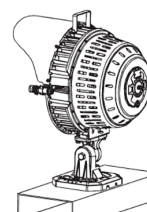
10 

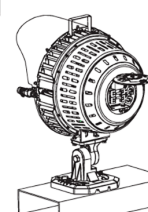
P2 Knuckle Surface Mount

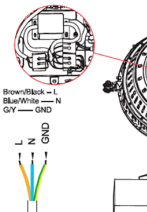
01  M16

02 

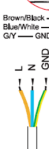
D1	D2
189mm	17mm

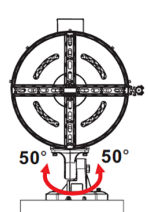
03 

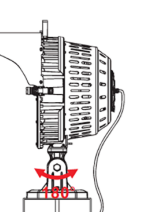
04 

05 


- Brown/Black — L
- Blue/White — N
- GY — GND

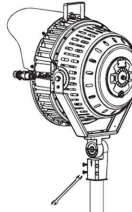


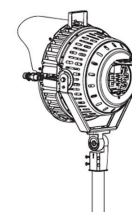
06  50° 50°


07 

P3 Slip Fitter with U-Bracket


01 

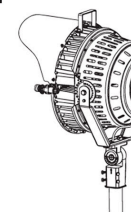
02 

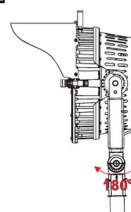
03 

04 


- Brown/Black — L
- Blue/White — N
- GY — GND

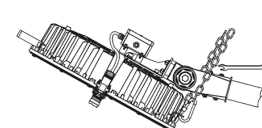


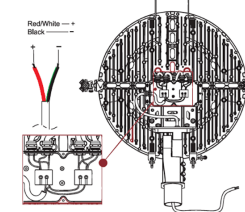
05 

06  75°

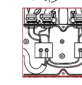
P7 Slip Fitter with Knuckle (Remote Driver Installation)

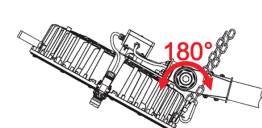
01 

02 


03 

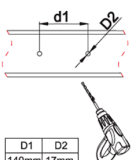
- Red/White — +
- Black — -



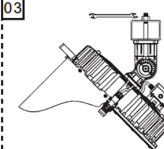
04  180°

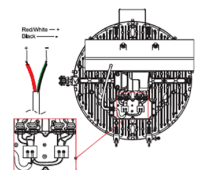
P8 Rotatable Bracket (Remote Driver Installation)

01  M16

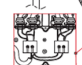
02 

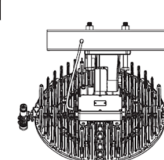
D1	D2
140mm	17mm

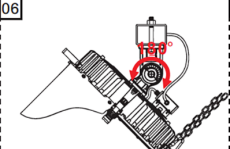
03 

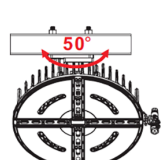
04 

- Red/White — +
- Black — -



05 

06 

07  50°

08 